



 **VICTRIX**  
A R M A M E N T S

2023 CATALOGUE





## CREATORS OF PRECISION.

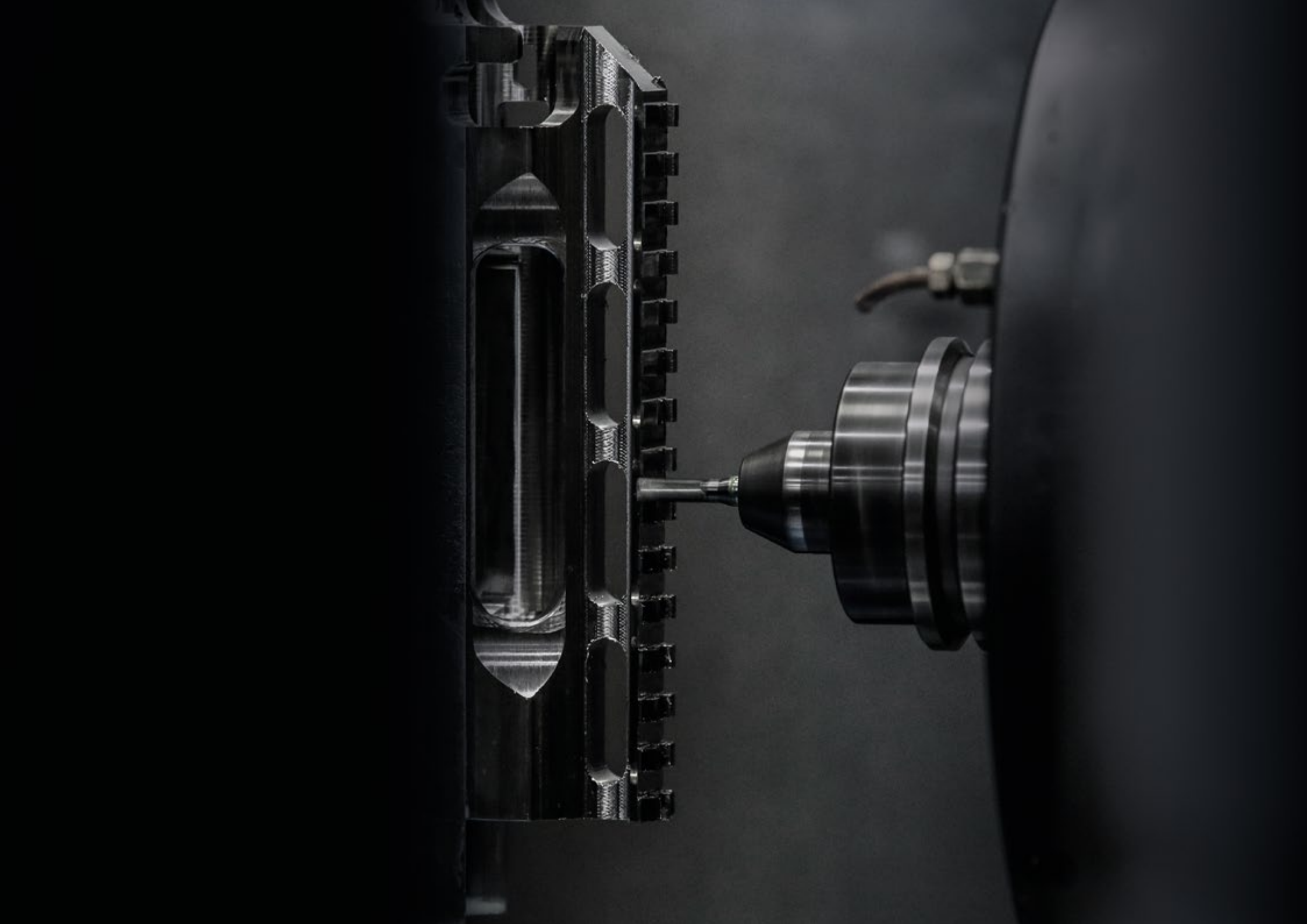
We design, manufacture and test in-house our firearm systems following our main dogma: precision.

Surrounded by the hills of the Gandino valley, north-east of Bergamo – Italy, we have over 50 years of experience in the firearms industry and high-precision engineering.

We aim to give precision shooting a new light and a new shape.

From small parts to chassis, every and each component of our Victrix Armaments rifles is designed and manufactured behind the doors of our company.

Precision is a belief, not a style.



## PROFESSIONAL

---

9 Pugio  
15 Gladio  
29 Scorpio  
39 Tormento  
45 Corvo

## SPORTING

---

53 Venus PRO  
59 Venus  
73 Scepter  
79 Performance  
89 Challenge  
95 Crown  
101 Throne  
107 Target  
121 Absolute

## SMALL BORE

---

129 Pugio SB  
135 Gladio SB  
141 Venus PRO SB  
147 Venus SB  
153 Scepter SB





VICTRIX  
PROFESSIONAL

We are creators of precision. We know exactly what careful planning means, thoroughly anticipating any possible developments to adapt to unexpected changes and work them out consciously.

For this reason, our Victrix Professional systems have been designed starting with a study on ergonomics to assure you freedom of choice.

This is to get you better chances of success, to assure you absolute safety and reliability in every scenario and to follow our main rules: precision, family feeling, no recoil. Choose among our Victrix Professional systems, our celebration of precision.



**V** Pugno V





## PUGIO

### SHORT IS BETTER.

Victrix Pugio is the most compact system in our catalogue, designed for urban sniping. Lighter, easier to carry, and designed following the specific needs of special forces: small dimensions and concealed transport. No one says you need a bigger rifle to hit your target.



# PUGIO V



■ Dark Grey



■ Dark Olive Drab Green



■ Medium Flat Brown



# V | PUGIO V DATA SHEET

## Destination use

Law Enforcement  
Military  
Sporting

## Caliber / Twist rate

.308 Win. (1/10)

## Barrel length

16"

## Weight

5,7 kg (12.57 lb) with an empty magazine,  
muzzle brake, barrel length 16" and no scope

## Dimension

Closed overall length: 714 mm (28.11")

Open overall length: 960 mm (37.80")

With muzzle brake and barrel length 16"

## Base rifle

Benchmark lapped match-grade button rifled barrel in AISI 416R

Barrel muzzle thread M18x1mm

Buttstock with horizontal and vertical multiple lever adjustments, a retractable monopod with quick positioning adjustment and fine adjustment, and an insulated cheek piece

Single feed and single stack 7-round magazine

Reversible EVO button folding system

Octagonal elliptic forend with M-LOK® system, a 20 MoA integrated monobloc top rail and an integrated monobloc rail for mounting a bipod according to STANAG 4694/Mil std 1913

Ergonomic and interchangeable zero angle flat top grip for standard AR platform 20 MoA action rail according to STANAG 4694/Mil std 1913 Detachable multifunction carry handle with quick mount:

- with QM (Quick mount) attachment for picatinny rail
- ergonomic handle
- integrated picatinny rail
- hook for rope attachment
- QD (Quick detach) attachments
- tripod attachment with 1/4" – 20 UNC and 3/8" – 16 UNC threads
- front magnetic bit holder for field maintenance

Victrix ProAngle detachable muzzle brake featuring 3 forward-canted chambers

Short action in AISI 630 worked out from billet through milling and turning with finish on electro-discharge and grinding machinery. Bolt with three asymmetric lugs: first lug on top of the cylinder in vertical position (at 12 o'clock), two side lugs arranged at an angle of 105 degree lift, dirt/ice grooves integral PVD finish on the action and on the bolt

Victrix Professional Dual-stage trigger, convertible to a single stage trigger, with two positions top safety: standard setting approx. 1000 gr (35.27 oz)

Explorer Cases case for transport cod. 7814

User manual and welcome kit

## Stock colour

Every and each component made of light alloy undergoes a hard black anodising. CERAKOTE ceramic polymer firearm coatings available in three colours:

-  Dark Grey
-  Dark Olive Drab Green
-  Medium Flat Brown

## Optional

Side picatinny rails for forend with M-LOK® system according to STANAG 4694/Mil std 1913



# ACCESSORIES AND DESIGN DETAILS

The accessories marked with the symbol



are part of the brand **ROME** that complement the Victrix system. You can buy these separately (if not included in the Victrix model) on our website [www.romeaccessories.it](http://www.romeaccessories.it)





**V** Gladio V



**T** Gladio T



**X** Gladio X



## GLADIO

**FIELD-TESTED, FROM 2400 YEARS.**

From the last legionary to the most important centurion, all of them had a Gladio.

Our roots lie in the history of a state that became an empire.

The Victrix Gladio is our tribute to the main weapon of ancient Rome.





# GLADIO V



■ Dark Grey



■ Dark Olive Drab Green



■ Medium Flat Brown



# GLADIO V

## DATA SHEET

### Destination use

Law Enforcement  
Military  
Sporting

### Caliber / Twist rate

.308 Win. (1/10 – 1/11)  
.308 Match (1/10 – 1/11)  
.260 Remington (1/8.5)  
6,5 Creedmoor (1/8)  
6,5 Creedmoor (1/8.5)

### Barrel length

22"  
26"

### Weight

6,25 kg (13.78 lb) with an empty magazine,  
muzzle brake, barrel length 22" and no scope

6,55 kg (14.44 lb) with an empty magazine,  
muzzle brake, barrel length 26" and no scope

### Dimension

Closed overall length: 868 mm (34.17")  
Open overall length: 1113 mm (43.82")  
With muzzle brake and barrel length 22"

Closed overall length: 969 mm (38.15")  
Open overall length: 1215 mm (47.84")  
With muzzle brake and barrel length 26"



### Base rifle

Benchmark lapped match-grade button rifled barrel in AISI 416R  
Barrel muzzle thread M18x1mm  
Buttstock with horizontal and vertical multiple lever adjustments, a retractable monopod with quick positioning adjustment and fine adjustment, and an insulated cheek piece  
Single feed and single stack 7-round magazine  
Reversible EVO button folding system  
Octagonal elliptic forend with M-LOK® system, a 20 MoA integrated monobloc top rail and an integrated monobloc rail for mounting a bipod according to STANAG 4694/Mil std 1913  
Ergonomic and interchangeable zero angle flat top grip for standard AR platform  
20 MoA action rail according to STANAG 4694/Mil std 1913  
Detachable multifunction carry handle with quick mount:

- with QM (Quick mount) attachment for picatinny rail
- ergonomic handle
- integrated picatinny rail
- hook for rope attachment
- QD (Quick detach) attachments
- tripod attachment with 1/4" – 20 UNC and 3/8" – 16 UNC threads
- front magnetic bit holder for field maintenance

Victrix ProAngle detachable muzzle brake featuring 3 forward-canted chambers  
Short action in AISI 630 worked out from billet through milling and turning with finish on electro-discharge and grinding machinery. Bolt with three asymmetric lugs: first lug on top of the cylinder in vertical position (at 12 o'clock), two side lugs arranged at an angle of 105 degree lift, dirt/ice grooves integral  
PVD finish on the action and on the bolt  
Victrix Professional Dual-stage trigger, convertible to a single stage trigger, with two positions top safety: standard setting approx. 1000 gr (35.27 oz)  
Explorer Cases case for transport cod. 13513  
User manual and welcome kit

### Stock colour

Every and each component made of light alloy undergoes a hard black anodising. CERAKOTE ceramic polymer firearm coatings available in three colours:

-  Dark Grey
-  Dark Olive Drab Green
-  Medium Flat Brown

### Optional

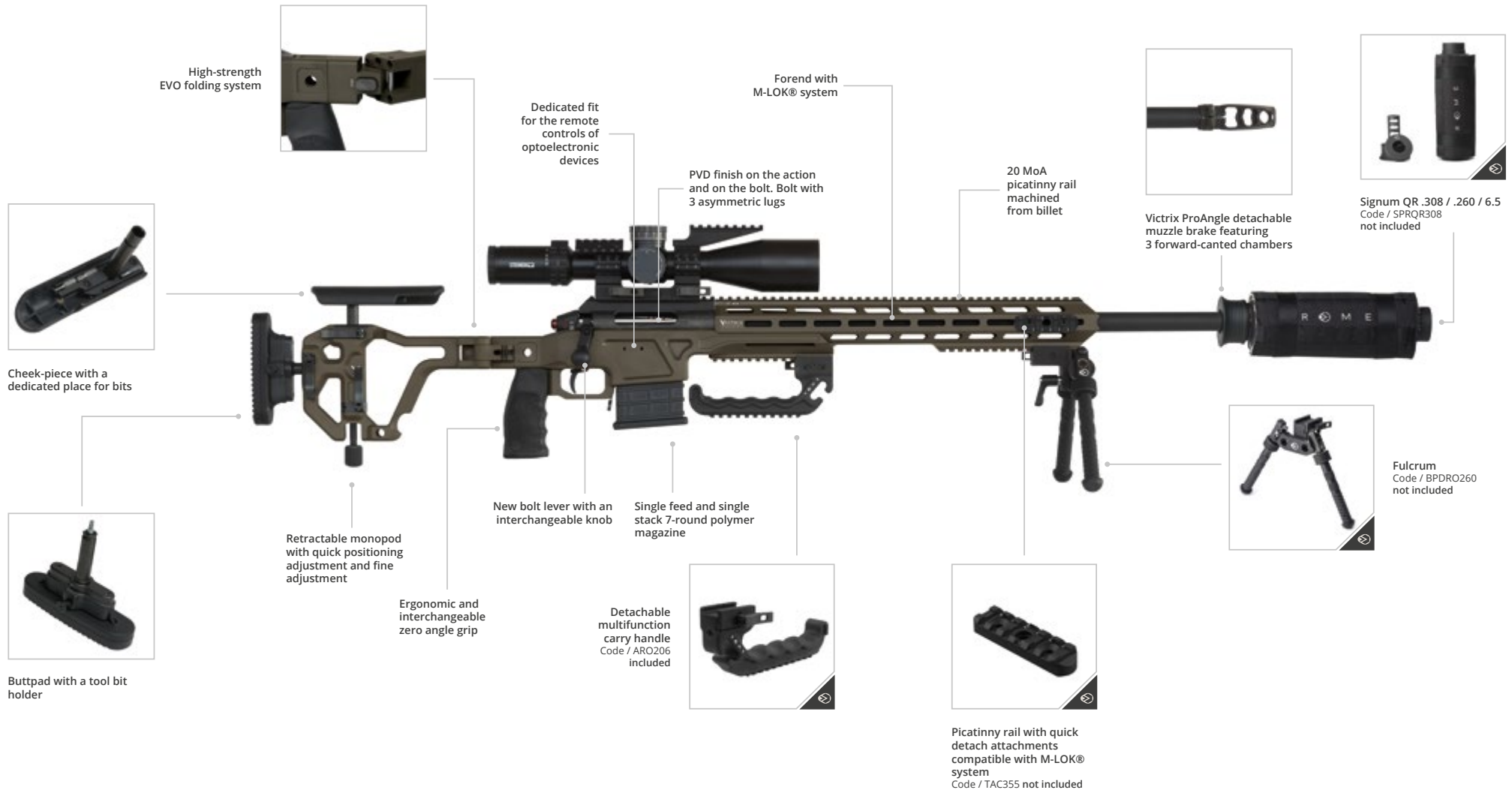
Side picatinny rails for forend with M-LOK® system according to STANAG 4694/Mil std 1913

# ACCESSORIES AND DESIGN DETAILS

The accessories marked with the symbol



are part of the brand **ROME** that complement the Victrix system. You can buy these separately (if not included in the Victrix model) on our website [www.romeaccessories.it](http://www.romeaccessories.it)





# GLADIO T



■ Hard Black Anodised



# VGLADIO T

## DATA SHEET

### Destination use

Law Enforcement  
Military  
Sporting

### Caliber / Twist rate

.308 Win. (1/11)  
.260 Remington (1/8.5)  
6,5 Creedmoor (1/8.5)

### Barrel length

26"

### Weight

6 kg (13.23 lb) with an empty magazine,  
muzzle brake, barrel length 26" and no scope

### Dimension

Closed overall length: 975 mm (38.39")  
Open overall length: 1242 mm (48.90")  
With muzzle brake and barrel length 26"

### Base rifle

Lothar Walther lapped match-grade button rifled barrel in AISI 420  
Barrel muzzle thread M18x1mm  
Buttstock with horizontal and vertical multiple button adjustments, and an insulated cheek piece  
Double stack and double feed 10-round metal magazine  
Reversible EVO button folding system  
Octagonal elliptical forend with M-LOK® system, a 20 MoA integrated monobloc top rail and an integrated monobloc rail for mounting a bipod according to STANAG 4694/Mil std 1913  
Ergonomic and interchangeable flat top grip for standard AR platform  
20 MoA integrated action rail according to STANAG 4694/Mil std 1913  
Victrix ProAngle detachable muzzle brake featuring 3 forward-canted chambers  
Short action in AISI 630 worked out from billet through milling and turning. Bolt with six symmetric lugs, dirt/ice grooves integral  
PVD finish on the action and on the bolt  
Victrix Professional Dual-stage trigger, convertible to a single stage trigger, with two positions top safety: standard setting approx. 1000 gr (35.27 oz)  
Explorer Cases case for transport cod. 13513  
User manual and welcome kit

### Stock colour

Every and each component made of light alloy undergoes a hard black anodising.  
Finish:

 Hard Black Anodised

### Optional

Side picatinny rails for forend with M-LOK® system according to STANAG 4694/Mil std 1913

Detachable multifunction carry handle with quick mount:

- with QM (Quick mount) attachment for picatinny rail
- ergonomic handle
- integrated picatinny rail
- hook for rope attachment
- QD (Quick detach) attachments
- tripod attachment with 1/4" - 20 UNC and 3/8" - 16 UNC threads
- front magnetic bit holder for field maintenance

Picatinny rail



# ACCESSORIES AND DESIGN DETAILS

The accessories marked with the symbol



are part of the brand **ROME** that complement the Victrix system. You can buy these separately (if not included in the Victrix model) on our website [www.romeaccessories.it](http://www.romeaccessories.it)







# GLADIO X



■ Hard Black Anodised



# GLADIO X DATA SHEET

## Destination use

Law Enforcement  
Military  
Sporting

## Caliber / Twist rate

6,5 x 47 Lapua (1/8)  
6,5 Creedmoor (1/8)  
.308 Winchester (1/11)

## Barrel length

24"

## Weight

6,0 kg (13.23 lb) with an empty magazine,  
muzzle brake, barrel length 24" and no scope

## Dimension

Closed overall length: 934 mm (36.77")  
Open overall length: 1153 mm (45.39")  
With muzzle brake and barrel length 24"

## Base rifle

Lothar Walther hammer-forged rifled barrel in special steel  
Barrel muzzle thread M18x1mm  
Buttstock with horizontal and vertical multiple adjustments and an adjustable insulated cheek piece  
Double-feed and double stack 10-round metal magazine  
High-strength monobloc chassis in light alloy, ready for mounting a picatinny rail  
Octagonal elliptical forend with M-LOK® system, with a 20 MoA integrated monobloc top rail 20 MoA and an integrated monobloc Anschutz-type rail for mounting a bipod  
Ergonomic and interchangeable grip for standard AR flat top platform  
20 MoA integrated action rail according to STANAG 4694/Mil std 1913  
Victrix ProAngle Gladio X detachable muzzle brake featuring 4 chambers  
Short action in AISI 630 worked out from billet through milling and turning. Bolt with six symmetric lugs, equipped with an interchangeable bolt lever  
PVD finish on the action and on the bolt  
Victrix Professional X Single-stage adjustable trigger with a two position safety: standard setting approx. 700 gr (24.70 oz)  
Negrini case for transport cod. 1640  
User manual and welcome kit

## Stock colour

Every and each component made of light alloy undergoes a hard black anodising.  
Finish:

 Hard Black Anodised

## Optional

Side picatinny rails for forend with M-LOK® system according to STANAG 4694/Mil std 1913

Side picatinny rails without QD (Quick Detach) attachments

Picatinny rail for mounting a multifunction carry handle

Detachable multifunction carry handle with quick mount:

- with QM (Quick mount) attachment for picatinny rail
- ergonomic handle
- integrated picatinny rail
- hook for rope attachment
- QD (Quick detach) attachments
- tripod attachment with 1/4" – 20 UNC and 3/8" – 16 UNC threads
- front magnetic bit holder for field maintenance

Accessories to mount on the Anschutz-type rail installed into the forend:

- Picatinny Anschutz-type rail for Gladio X L75
- Picatinny Anschutz-type rail for Gladio X L275
- Arca rail for Gladio X L275



# ACCESSORIES AND DESIGN DETAILS

The accessories marked with the symbol



are part of the brand **ROME** that complement the Victrix system. You can buy these separately (if not included in the Victrix model) on our website [www.romeaccessories.it](http://www.romeaccessories.it)



Buttstock with horizontal and vertical multiple adjustments



High-strength EVO folding system



Decumanus M1 - KEY  
Code / M1N00K  
not included



Bolt with six symmetric lugs with an interchangeable bolt lever

PVD finish on the action and on the bolt

20 MoA integrated monobloc top rail



Picatinny rail with quick detach attachments compatible with M-LOK® system  
Code / TAC355  
not included



Signum QR .308 / .260 / 6.5  
Code / SPRQR308  
not included

Lothar Walther hammer-forged rifled barrel in ARMAD®



Fulcrum Maximo  
Code / BPDRO290  
not included

Ergonomic and interchangeable grip for standard AR platform

Double-feed and double stack 10-round metal magazine



Detachable multifunction carry handle  
Code / ARO206  
not included

Victrix Professional X Single-stage trigger



Integrated monobloc Anschutz-type rail for mounting a bipod

Picatinny rail for carry handle for Gladio X  
code / TAC359  
not included





**V** Scorpio V



**T** Scorpio T



## SCORPIO

OF A CERTAIN CALIBER.  
THE MOST WELL-KNOWN.

Victrix Scorpio is born to be the ideal firearm for military sniping, with its .338 Lapua Magnum caliber. We've decided to join the most renowned ammunition with an equally reliable rifle.



# SCORPIO V



■ Dark Grey



■ Dark Olive Drab Green



■ Medium Flat Brown



# SCORPIO V

## DATA SHEET

### Destination use

Law Enforcement  
Military  
Sporting

### Caliber / Twist rate

.338 Lapua Magnum (1/10)  
.300 Win. Magnum (1/10)  
.300 Norma Magnum (1/10)

### Barrel length

22"  
26"

### Weight

6,4 kg (14.11 lb) with an empty magazine,  
muzzle brake, barrel length 22" and no scope

6,7 kg (14.77 lb) with an empty magazine,  
muzzle brake, barrel length 26" and no scope

### Dimension

Closed overall length: 902 mm (35.51")  
Open overall length: 1148 mm (45.20")  
With muzzle brake and barrel length 22"

Closed overall length: 1004 mm (39.53")  
Open overall length: 1250 mm (49.21")  
With muzzle brake and barrel length 26"

### Base rifle

Benchmark lapped match-grade button rifled barrel in AISI 416R

Barrel muzzle thread M18x1mm

Buttstock with horizontal and vertical multiple lever adjustments, a retractable monopod with quick positioning adjustment and fine adjustment, and an insulated cheek piece

Single feed and single stack 7-round magazine

Reversible EVO button folding system

Octagonal elliptic forend with M-LOK® system, a 20 MoA integrated monobloc top rail and an integrated monobloc rail for mounting a bipod according to STANAG 4694/Mil std 1913

Ergonomic and interchangeable zero angle flat top grip for standard AR platform

20 MoA action rail according to STANAG 4694/Mil std 1913

Detachable multifunction carry handle with quick mount:

- with QM (Quick mount) attachment for picatinny rail
- ergonomic handle
- integrated picatinny rail
- hook for rope attachment
- QD (Quick detach) attachments
- tripod attachment with 1/4" – 20 UNC and 3/8" – 16 UNC threads
- front magnetic bit holder for field maintenance

Victrix ProAngle detachable muzzle brake featuring 3 forward-canted chambers

Long action in AISI 630 worked out from billet through milling and turning with finish on electro-discharge and grinding machinery. Bolt with three asymmetric lugs: first lug on top of the cylinder in vertical position (at 12 o'clock), two side lugs arranged at an angle of 105 degree lift, dirt/ice grooves integral

PVD finish on the action and on the bolt

Victrix Professional Dual-stage trigger, convertible to a single stage trigger, with two positions top safety: standard setting approx. 1000 gr (35.27 oz)

Explorer Cases case for transport cod. 13513

User manual and welcome kit

### Stock colour

Every and each component made of light alloy undergoes a 30 micron hard black anodising.

CERAKOTE ceramic polymer firearm coatings available in three colours:

 Dark Grey

 Dark Olive Drab Green

 Medium Flat Brown

### Optional

Side picatinny rails for forend with M-LOK® system according to STANAG 4694/Mil std 1913





# ACCESSORIES AND DESIGN DETAILS

The accessories marked with the symbol



are part of the brand **ROME** that complement the Victrix system. You can buy these separately (if not included in the Victrix model) on our website [www.romeaccessories.it](http://www.romeaccessories.it)





# SCORPIO T



■ Hard Black Anodised



# SCORPIO T

## DATA SHEET



### Destination use

Law Enforcement  
Military  
Sporting

### Caliber / Twist rate

.338 Lapua Magnum (1/10)  
.300 Norma Magnum (1/10)

### Barrel length

26"

### Weight

6,15 kg (13.56 lb) with an empty magazine,  
muzzle brake, barrel length 26" and no scope

### Dimension

Closed overall length: 1009 mm (39.72")  
Open overall length: 1276 mm (50.24")  
With muzzle brake and barrel length 26"

### Base rifle

Lothar Walther lapped match-grade button rifled barrel in AISI 420  
Barrel muzzle thread M18x1mm  
Buttstock with horizontal and vertical multiple button adjustments, and an insulated cheek piece  
Double stack and double feed 10-round metal magazine  
Reversible EVO button folding system  
Octagonal elliptical forend with M-LOK® system, a 20 MoA integrated monobloc top rail and an integrated monobloc rail for mounting a bipod according to STANAG 4694/Mil std 1913  
Ergonomic and interchangeable flat top grip for standard AR platform  
20 MoA integrated action rail according to STANAG 4694/Mil std 1913  
Victrix ProAngle detachable muzzle brake featuring 3 forward-canted chambers  
Long action in AISI 630 worked out from billet through milling and turning. Bolt with six symmetric lugs, dirt/ice grooves integral  
PVD finish on the action and on the bolt  
Victrix Professional Dual-stage trigger, convertible to a single stage trigger, with two positions top safety: standard setting approx. 1000 gr (35.27 oz)  
Explorer Cases case for transport cod. 13513  
User manual and welcome kit

### Stock colour

Every and each component made of light alloy undergoes a hard black anodising.  
Finish:



Hard Black Anodised

### Optional

Side picatinny rails for forend with M-LOK® system according to STANAG 4694/Mil std 1913  
Detachable multifunction carry handle with quick mount:

- with QM (Quick mount) attachment for picatinny rail
- ergonomic handle
- integrated picatinny rail
- hook for rope attachment
- QD (Quick detach) attachments
- tripod attachment with 1/4" - 20 UNC and 3/8" - 16 UNC threads
- front magnetic bit holder for field maintenance

Picatinny rail



# ACCESSORIES AND DESIGN DETAILS

The accessories marked with the symbol



are part of the brand **ROME** that complement the Victrix system. You can buy these separately (if not included in the Victrix model) on our website [www.romeaccessories.it](http://www.romeaccessories.it)



Decumanus M1 - Key  
Code / M1N00K  
not included

Small accessory  
rail H10 L55  
Code / ARO101  
not included

20 MoA picatinny  
rail machined  
from billet

Picatinny rail with quick  
detach attachments  
compatible with  
M-LOK® system  
Code / TAC355  
not included

Signum QR .338 / .300  
Code / SPRQR338  
not included

Forend with  
M-LOK® system

High-strength EVO folding  
system

Fulcrum  
Code / BPDRO260  
not included

New bolt  
lever with an  
interchangeable  
knob


Double feed and  
double stack  
10-round metal  
magazine

Detachable  
multifunction  
carry handle  
Code / ARO206  
not included

Picatinny rail  
Code / TAC356  
not included

PVD finish on the  
action and on  
the bolt



 Tormento V



## TORMENTO

### WITH EXTREME PRECISION.

Victrix Tormento is the rifle chosen by expert shooters to get to extreme distances. Choose among the two CT calibers, .375 e .408. Get even further than anyone could believe.





# TORMENTO V



Dark Olive Drab Green



Medium Flat Brown



# TORMENTO V

## DATA SHEET

### Destination use

Law Enforcement  
Military  
Sporting

### Caliber / Twist rate

.375 CT (1/10)  
.408 CT (1/13)

### Barrel length

30"

### Weight

11,5 kg (25.35 lb) with an empty magazine,  
muzzle brake, fluted barrel length 30"  
and no scope

### Dimension

Closed overall length: 1201 mm (47.28")  
Open overall length: 1447 mm (56.97")  
With muzzle brake and fluted barrel length 30"

### Base rifle

Benchmark lapped and fluted match-grade button rifled barrel in AISI 416R  
Barrel muzzle thread M24x1mm  
Buttstock with horizontal and vertical multiple lever adjustments, a retractable monopod with quick positioning adjustment and fine adjustment, and an insulated cheek piece  
Single feed and single stack 7-round magazine  
Reversible EVO button folding system  
Octagonal elliptic forend with M-LOK® system, a 45 MoA integrated monobloc top rail and an integrated monobloc rail for mounting a bipod according to STANAG 4694/Mil std 1913  
Ergonomic and interchangeable zero angle flat top grip for standard AR platform  
45 MoA action rail according to STANAG 4694/Mil std 1913  
Detachable multifunction carry handle with quick mount:

- with QM (Quick mount) attachment for picatinny rail
- ergonomic handle
- integrated picatinny rail
- hook for rope attachment
- QD (Quick detach) attachments
- tripod attachment with 1/4" – 20 UNC and 3/8" – 16 UNC threads
- front magnetic bit holder for field maintenance

Victrix ProAngle detachable muzzle brake featuring 3 forward-canted chambers Action in AISI 420 worked out from billet through milling and turning with finish on grinding machinery. Bolt with 3 symmetric lugs: first lug at the bottom of the cylinder in vertical position (at 6 o'clock), two side lugs arranged at an angle of 120 degree, dirt/ice grooves integral  
PVD finish on the action and on the bolt  
Victrix Professional Plus trigger with two positions top safety: standard setting approx. 1000 gr (35.27 oz)  
Explorer Cases case for transport cod. 13513  
User manual and welcome kit

### Stock colour

Every and each component made of light alloy undergoes a hard black anodising CERAKOTE ceramic polymer firearm coatings available in three colours:

-  Dark Grey
-  Dark Olive Drab Green
-  Medium Flat Brown

### Optional

Side picatinny rails for forend with M-LOK® system according to STANAG 4694/Mil std 1913



# ACCESSORIES AND DESIGN DETAILS

The accessories marked with the symbol



are part of the brand **ROME** that complement the Victrix system. You can buy these separately (if not included in the Victrix model) on our website [www.romeaccessories.it](http://www.romeaccessories.it)





 Corvo V



## CORVO

### A SNIPER RIFLE, IN .50 BMG.

We've designed Corvo to have more control over the extreme power, holding our accuracy flag high. To give you an idea, think about the accuracy of a sniper firearm system together with the energy of a .50 BMG caliber.



# CORVO V



■ Dark Grey



■ Dark Olive Drab Green



■ Medium Flat Brown



# CORVO V

## DATA SHEET



### Destination use

Law Enforcement  
Military

### Caliber / Twist rate

50 BMG (12,7x99) (1/15)

### Barrel length

27"

### Weight

13,2 kg (29.10 lb) with an empty magazine,  
muzzle brake, fluted barrel length 27"  
and no scope

### Dimension

Closed overall length: 1175 mm (46.22")  
Open overall length: 1420 mm (56.14")  
With muzzle brake and fluted barrel length 27"

### Base rifle

Lapped and fluted match-grade rifled barrel in AISI 420

Barrel muzzle thread M24x1mm

Buttstock with horizontal and vertical multiple lever adjustments, a retractable monopod with quick positioning adjustment and fine adjustment, and an insulated cheek piece

Single feed and single stack 5-round magazine

Reversible EVO button folding system

Octagonal elliptic forend with M-LOK® system, a 45 MoA integrated monobloc top rail and an integrated monobloc rail for mounting a bipod according to STANAG 4694/Mil std 1913

Ergonomic and interchangeable zero angle flat top grip for standard AR platform

45 MoA action rail according to STANAG 4694/Mil std 1913

Detachable multifunction carry handle with quick mount:

- with QM (Quick mount) attachment for picatinny rail
- ergonomic handle
- integrated picatinny rail
- hook for rope attachment
- QD (Quick detach) attachments
- tripod attachment with 1/4" – 20 UNC and 3/8" – 16 UNC threads
- front magnetic bit holder for field maintenance

Victrix ProAngle detachable muzzle brake featuring 4 forward-canted chambers Action in AISI 420 worked out from billet through milling and turning with finish on grinding machinery. Bolt with 3 symmetric lugs: first lug at the bottom of the cylinder in vertical position (at 6 o'clock), two side lugs arranged at an angle of 120 degree, dirt/ice grooves integral

PVD finish on the action and on the bolt

Victrix Professional Plus trigger with three positions top safety: standard setting approx. 1000 gr (35.27 oz)

Explorer Cases case for transport with military specifications cod. 15416 with custom cut interior

Cleaning and tool kit with cordura pouch

Nr. 1 additional single feed and single stack 5-round magazine

Tactical sling and QD (Quick Detach) sling rings

ROME Caliga bipod

User manual and welcome kit

### Stock colour

Every and each component made of light alloy undergoes a hard black anodising CERAKOTE ceramic polymer firearm coatings available in three colours:

 Dark Grey

 Dark Olive Drab Green

 Medium Flat Brown

### Optional

Side picatinny rails for forend with M-LOK® system according to STANAG 4694/Mil std 1913





# ACCESSORIES AND DESIGN DETAILS

The accessories marked with the symbol



are part of the brand **ROME** that complement the Victrix system. You can buy these separately (if not included in the Victrix model) on our website [www.romeaccessories.it](http://www.romeaccessories.it)







VICTRIX  
SPORTING

We are keeping up to date with state-of- the-art technology. We strongly believe in innovation and have been studying new solutions to apply to the components of our firearms since the very first day.

And that's how our Sporting series was born, our contribution to the sport field.

We create our systems with an Anima® with the aim to become reliable partners for the best shooters.

We design accurate rifles to place in the hands of sport shooters aiming for success.

Choose among our Victrix Sporting systems and welcome to the line of fire.



 Venus PRO



## VENUS PRO

### A NEW ERA

Get ready for a real revolution: our new Victrix Venus PRO is the future of precision shooting! We don't see the future, we build it. And yours is called Victrix Venus PRO, the sporting rifle born not only to compete, but above all to succeed.



· *VENUS* ·



■ Hit Blue



# VENUS PRO DATA SHEET



## Destination use

Sporting ideal for PRS® shooting

## Caliber / Twist rate

6 XC (1/8)  
6,5 x 47 Lapua (1/7,5)  
6,5 x 47 Lapua (1/8.5)  
6,5 Creedmoor (1/7,5)  
6,5 Creedmoor (1/8.5)  
6 Creedmoor (1/8)  
.308 Match (1/10)  
.308 Match (1/11)

## Barrel length

26"

## Weight

7 kg (15.43 lb), with an empty magazine, a muzzle thread protector and no scope

## Dimension

Closed overall length: 921 mm (36.26")  
Open overall length: 1160 mm (45.67")

## Base rifle

Match-grade button rifled barrel with a stainless steel finish and 1.250\_1.000 contour  
Barrel muzzle thread M18x1mm  
Buttstock with horizontal and vertical multiple button adjustments and an adjustable insulated cheek piece, equipped with a Picatinny rail on the underside  
Metal double stack single feed 10-round magazine  
Reversible EVO button folding system  
High-strength monobloc chassis in light alloy ready to mount accessories or hold ammunition, and an ergonomic thumb rest  
Light profile forend in light alloy equipped with a side M-LOK® system, an integrated Anschütz-type rail in the middle and an integrated Arca rail that run the entire length  
Interchangeable barricade stop to protect the magazine  
Wider trigger guard  
Ergonomic and interchangeable grip for standard AR platform  
Muzzle thread protector  
Short action in AISI 630 worked out from billet with a 20 MoA integrated rail  
Bolt with six symmetric lugs, equipped with grooves and an interchangeable bolt lever  
PVD finish on the action and on the bolt  
Victrix Sporting Plus Single-stage adjustable trigger with a two-position safety: standard setting approx. 400 gr (14.11 oz)  
Explorer Cases case for transport cod. 13513  
User manual and welcome kit

## Stock colour

Every and each component made of light alloy undergoes a hard black anodising CERAKOTE ceramic polymer firearm coatings available in colour:

 Hit Blue

## Optional

Nr. 2 side forend weights for M-LOK® system  
Handguard cover on the front with Picatinny rail 172,5mm (6.79")  
Handguard cover on the front with Picatinny rail 296 mm (11.65")





# ACCESSORIES AND DESIGN DETAILS

The accessories marked with the symbol



are part of the brand **ROME** that complement the Victrix system. You can buy these separately (if not included in the Victrix model) on our website [www.romeaccessories.it](http://www.romeaccessories.it)



VENUS PRO



**V** Venus V



**T** Venus T



**X** Venus X



## VENUS

### THE TOOL OF THE TRADE.

Do you really play your sport with the first things you have around?

Leave assemblies and adjustments to the other.

Let us present you our Victrix Venus, the first European rifle designed for dynamic precision long range shooting, ready for delivery and in different versions.

Leave the unexpected to your competitors.




# · VENUS · V



 Orobic Blue



 Hard Black Anodised





# VENUS V DATA SHEET

## Destination use

Sporting ideal for dynamic precision long range shooting

## Caliber / Twist rate

6 XC (1/7.5)  
6,5 x 47 Lapua (1/8)  
6,5 x 47 Lapua (1/8.5)  
6,5 Creedmoor (1/8)  
6,5 Creedmoor (1/8.5)  
6 Creedmoor (1/7.5)  
.260 Remington (1/8.5)  
.308 Winchester (1/11)

## Barrel length

24"

## Weight

5,55 kg (12.24 lb), with an empty magazine, muzzle brake, barrel length 24" and no scope

## Dimension

Overall length: 1170 mm (46.06")  
with muzzle brake and barrel length 24"

## Base rifle

Benchmark lapped match-grade button rifled barrel in AISI 416R, CERAKOTE black matt finish  
Barrel muzzle thread M18x1mm  
Buttstock with horizontal and vertical multiple button adjustments and an adjustable insulated cheek piece, equipped with an Anschutz-type rail on the underside  
Single-feed and single stack 7-round polymer magazine  
High-strength monobloc chassis in light alloy  
Light profile forend in light alloy equipped with a side M-LOK® system and QD (Quick Detach) attachments, an integrated Anschutz-type rail in the middle and an integrated Arca rail that runs the entire length  
Ergonomic and interchangeable zero angle flat top grip for standard AR platform  
20 MoA action rail  
Victrix ProAngle Venus V detachable muzzle brake featuring 4 forward-canted chambers  
Short action in AISI 630 worked out from billet through milling and turning with finish on electro-discharge and grinding machines. Bolt with three asymmetric lugs: first lug on top of the cylinder in vertical position (at 12 o'clock) and two side lugs arranged at an angle of 105-degree lift; equipped with grooves and an interchangeable bolt lever  
PVD finish on the action and on the bolt  
Victrix Sporting Plus Single-stage adjustable trigger with a two-position safety: standard setting approx. 400 gr (14.11 oz)  
Explorer Cases case for transport cod. 13513  
User manual and welcome kit

## Stock colour

Every and each component made of light alloy undergoes a 30 micron hard black anodising  
Finish:

 Hard Black Anodised

CERAKOTE ceramic polymer firearm coatings available in colour:

 Orobic Blue



# ACCESSORIES AND DESIGN DETAILS

The accessories marked with the symbol



are part of the brand **ROME** that complement the Victrix system. You can buy these separately (if not included in the Victrix model) on our website [www.romeaccessories.it](http://www.romeaccessories.it)





STEINER

TOUCH-SENSING

PRST001

WITTEN EFFIZIONE MECHANICS  
Tel. +39 04 011 0228

VICTRIX

VERUS



# · VENUS · T



■ Hard Black Anodised



# VENUS T DATA SHEET

IGNI OFFICINA MECCANICA  
.308 Win. 1/11 IT20

VICTRIX  
ARMAMENTS

## Destination use

Sporting ideal for dynamic precision long range shooting

## Caliber / Twist rate

6 XC (1/8)  
6,5 x 47 Lapua (1/8.5)  
6,5 Creedmoor (1/8.5)  
.260 Remington (1/8.5)  
.308 Winchester (1/11)

## Barrel length

24"

## Weight

5,45 kg (12.02 lb), with an empty magazine, muzzle brake, barrel length 24" and no scope

## Dimension

Overall length: 1170 mm (46.06")  
with muzzle brake and barrel length 24"

## Base rifle

Lothar Walther lapped match-grade button rifled barrel in AISI 420, CERAKOTE black matt finish  
Barrel muzzle thread M18x1mm  
Buttstock with horizontal and vertical multiple button adjustments and an adjustable insulated cheek piece, equipped with an Anschutz-type rail on the underside  
Double-feed and double stack 10-round metal magazine  
High-strength monobloc chassis in light alloy  
Light profile forend in light alloy equipped with a side M-LOK® system and QD (Quick Detach) attachments, an integrated Anschutz-type rail in the middle and an integrated Arca rail that runs the entire length  
Ergonomic and interchangeable flat top grip for standard AR platform  
20 MoA integrated action rail  
Victrix ProAngle Venus T detachable muzzle brake featuring 4 chambers  
Short action in AISI 630 worked out from billet through milling and turning. Bolt with six symmetric lugs, equipped with grooves and an interchangeable bolt lever  
PVD finish on the action and on the bolt  
Victrix Sporting Plus Single-stage adjustable trigger with a two-position safety: standard setting approx. 400 gr (14.11 oz)  
Explorer Cases case for transport cod. 13513  
User manual and welcome kit

## Stock colour

Every and each component made of light alloy undergoes a 30-micron hard black anodising.

Finish:

 Hard Black Anodised



# ACCESSORIES AND DESIGN DETAILS

The accessories marked with the symbol



are part of the brand **ROME** that complement the Victrix system. You can buy these separately (if not included in the Victrix model) on our website [www.romeaccessories.it](http://www.romeaccessories.it)





KAHLES

BCC

0 15 30 28 14 13 20 10 20 100 800

2 1 3

2 1 3

VSX220289

VICTRIX  
AR-15

Cal. 5.56 Creedmoor 1/8 1124

· *VENUS* · X



■ Hard Black Anodised



# VENUS X

## DATA SHEET

### Destination use

Sporting ideal for dynamic precision long range shooting

### Caliber / Twist rate

6,5 x 47 Lapua (1/8)  
6,5 Creedmoor (1/8)  
.308 Winchester (1/11)

### Barrel length

24"

### Weight

5,90 kg (13.00 lb), with an empty magazine, muzzle brake, barrel length 24" and no scope

### Dimension

Overall length: 1170 mm (46.06")  
with muzzle brake and barrel length 24"

### Base rifle

Lothar Walther hammer-forged rifled barrel in special steel, CERAKOTE black matt finish  
Barrel muzzle thread M18x1mm  
Buttstock with horizontal and vertical multiple button adjustments and an adjustable insulated cheek piece, equipped with an Anschutz-type rail on the underside  
Double-feed and double stack 10-round metal magazine  
High-strength monobloc chassis in light alloy  
Light profile forend with reinforcement points to achieve an overall rigidity, an integrated Anschutz-type rail and a side M-LOK® system. Integrated Arca rail that runs the entire length  
Ergonomic and interchangeable flat top grip for standard AR flat top  
20 MoA integrated action rail  
Victrix ProAngle Venus X detachable muzzle brake featuring 4 chambers  
Short action in AISI 630 worked out from billet through milling and turning. Bolt with six symmetric lugs, equipped with grooves and an interchangeable bolt lever  
PVD finish on the action and on the bolt  
Victrix Sporting X Single-stage adjustable trigger with a two position safety: standard setting approx. 700 gr (24.70 oz)  
Negrini case for transport cod. 1640  
User manual and welcome kit

### Stock colour

Every and each component made of light alloy undergoes a hard black anodising.  
Finish:

 Hard Black Anodised



# ACCESSORIES AND DESIGN DETAILS

The accessories marked with the symbol



are part of the brand **ROME** that complement the Victrix system. You can buy these separately (if not included in the Victrix model) on our website [www.romeaccessories.it](http://www.romeaccessories.it)





V Scepter V





## SCEPTER

### ROYAL FAMILY.

Let us introduce you to Scepter V, the newcomer in Victrix Armaments ELR royal family. Have a sit on the throne, wear your crown. The scepter you were looking for has come.



# SCEPTER V



 Orobic Blue



# SCEPTER V

## DATA SHEET



### Destination use

ELR Shooting

### Caliber / Twist rate

.338 Lapua Magnum (1/9)  
.300 Norma Magnum (1/9.5)

### Barrel length

32"

### Weight

8 kg (17.64 lb) no scope

### Dimension

Closed overall length: 1120 mm (44.09")  
Open overall length: 1380 mm (54.33")  
With muzzle thread protector and barrel length 32"

### Base rifle

Benchmark button lapped rifled barrel in AISI 416R with stainless steel finish  
Barrel muzzle thread M18x1mm  
High-strength monobloc chassis in light alloy  
Buttstock with a horizontal and vertical adjustment, and an insulated cheek piece  
Rear slider inclined at 3 degrees, vertically adjustable by ring  
Ergonomic and interchangeable zero angle flat top grip standard AR platform  
30 MoA action rail in special steel  
Light profile forend with reinforcement points to achieve an overall rigidity, with an integrated Anschutz-type rail in the middle and an integrated Arca rail that runs the entire length  
Long Single-shot action in AISI 630 worked out from billet through milling and turning with finish on electro-discharge and grinding machinery.  
Bolt with 3 asymmetric lugs: first lug at the bottom of the cylinder in vertical position (at 6 o'clock), two side lugs arranged at an angle of 105 degrees, dirt/ice grooves integral  
PVD finish on the action and on the bolt  
Victrix Sporting Plus adjustable trigger, standard setting approx. 400 gr (14.11 oz)  
Muzzle thread protector  
Explorer Cases case for transport cod. 13513  
User manual and welcome kit

### Stock colour

Every and each component made of light alloy undergoes a hard black anodising CERAKOTE ceramic polymer firearm coatings available in colour:

 Orobian Blue

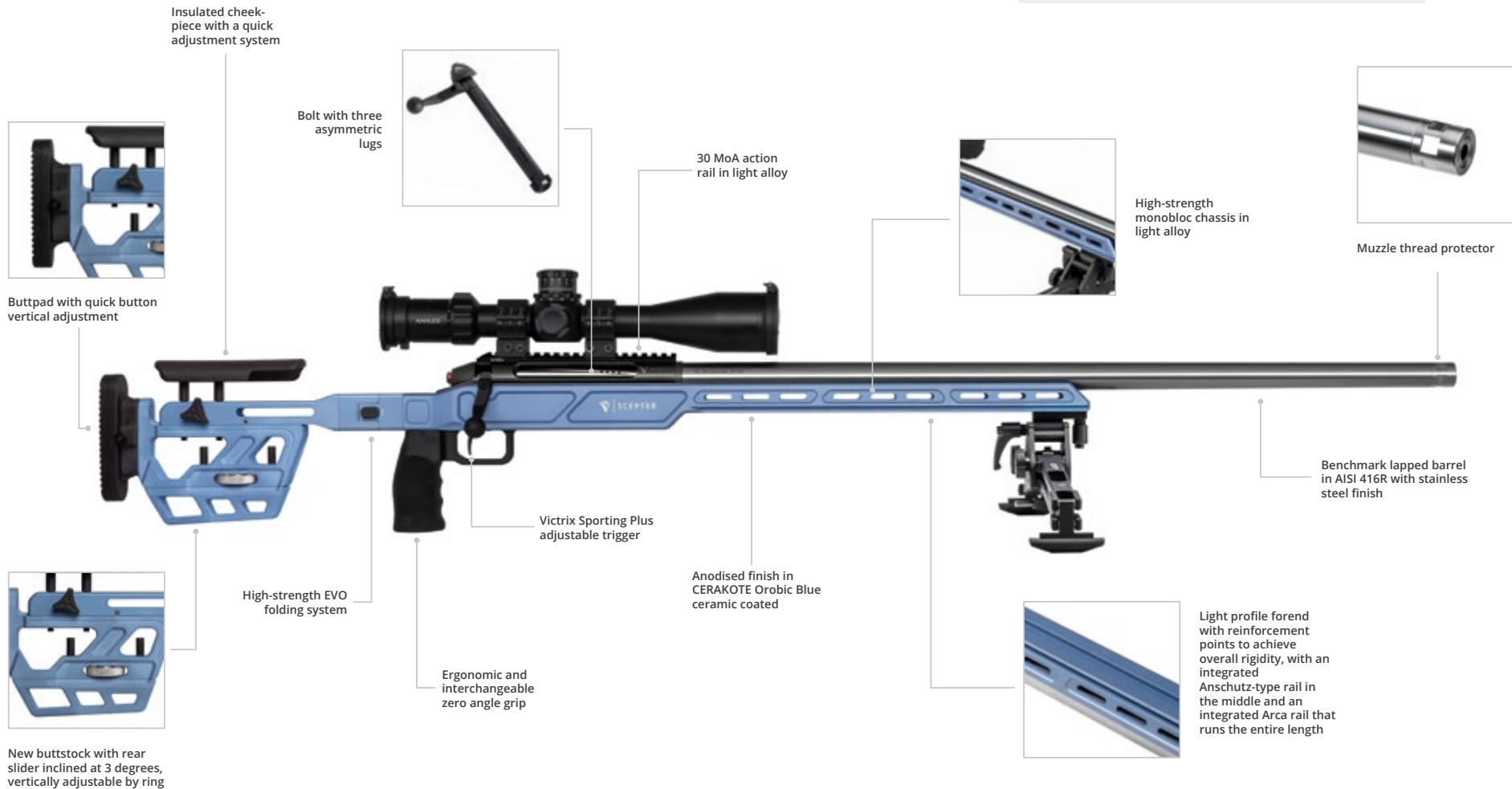


# ACCESSORIES AND DESIGN DETAILS

The accessories marked with the symbol



are part of the brand **ROME** that complement the Victrix system. You can buy these separately (if not included in the Victrix model) on our website [www.romeaccessories.it](http://www.romeaccessories.it)



SCEPTER V



**V** Performance V



**T** Performance T



## PERFORMANCE

### WHAT'S YOUR NEXT LEVEL?

Find it out with Victrix Performance. Its aluminium chassis will let you savour every step hard-won. A pleasure never experienced before will make you feel truly at one with your Victrix system. Grow with her, but be careful, there's no room for error.





# PERFORMANCE V



■ Medium Light-Grey



# PERFORMANCE V

## DATA SHEET



### Destination use

Sporting by bipod / rest

### Caliber / Twist rate

.308 Match (1/11 - 30")  
.308 Match (1/10 - 32")  
.308 Match (1/9,5 - 32")  
.300 WSM (1/10 - 32")  
.300 WSM (1/9,5 - 32")  
7/270 WSM (1/8,5 - 32")  
.284 Win. (1/8,5 - 32")  
.308 Win. (1/11 - 30")  
6,5 Creedmoor (1/8,5 - 30")  
6,5×47 Lapua (1/8,5 - 30")  
6 XC (1/8,5 - 28")  
6 BR (1/8,5 - 28")

### Barrel length

See section Caliber

### Weight

6,40 kg (14.10 lb) no scope, barrel length 28"  
6,60 kg (14.55 lb) no scope, barrel length 30"  
6,80 kg (14.99 lb) no scope, barrel length 32"

### Dimension

Overall length 1200 mm (47.24")  
With barrel length 28"

Overall length 1250 mm (49.21")  
With barrel length 30"

Overall length 1300 mm (51.18")  
With barrel length 32"

### Base rifle

Benchmark lapped button rifled barrel in AISI 416R with stainless steel finish, muzzle at 1"

Buttstock with a horizontal and vertical adjustment, and an insulated cheek piece  
Ergonomic and interchangeable zero angle flat top grip standard AR platform

High-strength monobloc chassis in light alloy

Light profile forend with reinforcement points to achieve an overall rigidity, with an integrated Anschutz-type rail for mounting a bipod

20 MoA action rail in light alloy

Single-shot action in AISI 630 worked out from billet through milling and turning with finish on electro-discharge and grinding machinery. Bolt with three asymmetric lugs: first lug on top of the cylinder in vertical position (at 12 o'clock), two side lugs arranged at an angle of 105 degree lift, dirt/ice grooves integral

PVD finish on the action and on the bolt

Victrix Sporting V Single-stage adjustable trigger: standard setting approx. 60 gr (2.12 oz)

Explorer Cases case for transport cod. 13513

User manual and welcome kit

### Stock colour

Every and each component made of light alloy undergoes a 30 micron hard black anodising.

CERAKOTE ceramic polymer firearm coatings available in colour:

 Medium light-grey

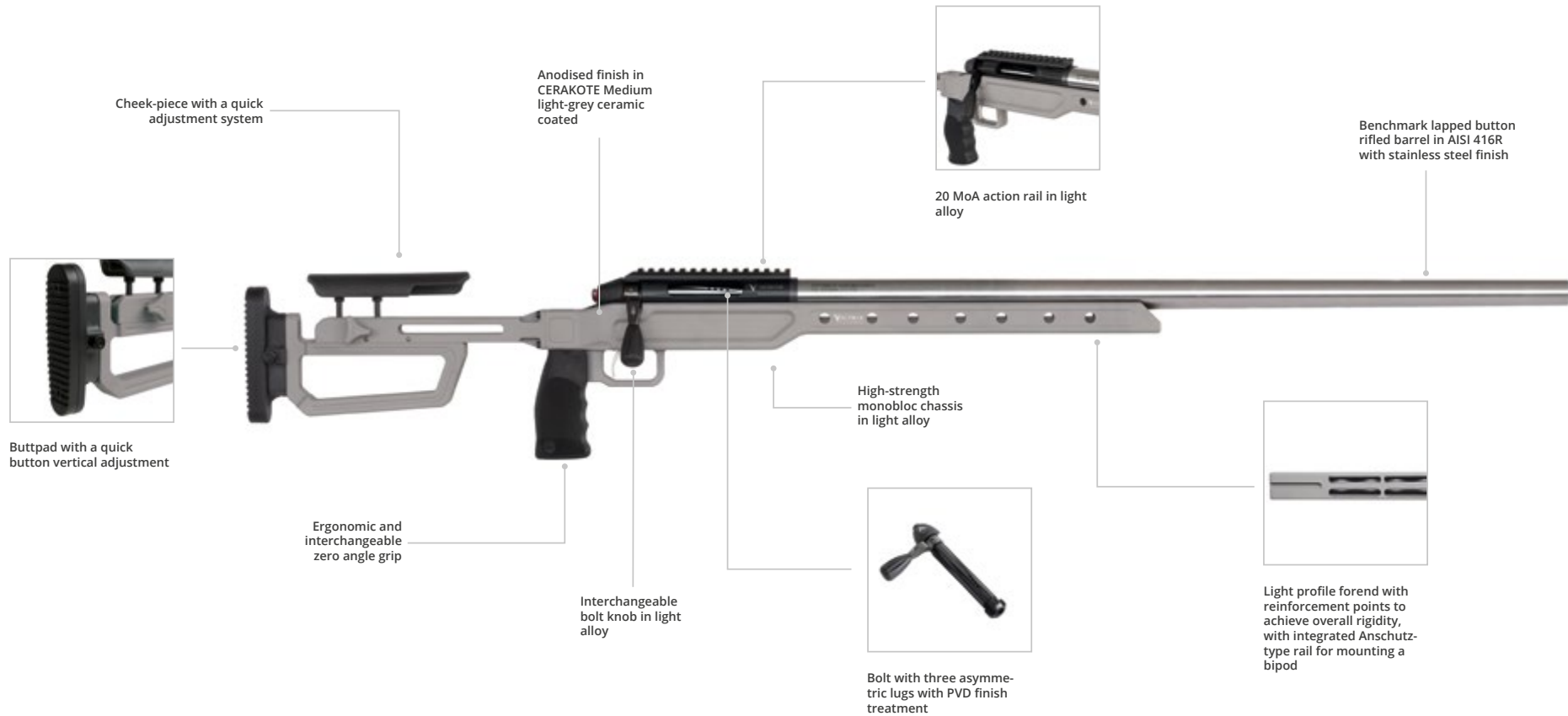


# ACCESSORIES AND DESIGN DETAILS

The accessories marked with the symbol



are part of the brand **ROME** that complement the Victrix system. You can buy these separately (if not included in the Victrix model) on our website [www.romeaccessories.it](http://www.romeaccessories.it)





VICTRIX<sup>®</sup>  
ARMYMENTS

VICTRIX<sup>®</sup>  
ARMYMENTS

# PERFORMANCE T



■ Hard Black Anodised



# PERFORMANCE T

## DATA SHEET

### Destination use

Sporting by bipod / rest

### Caliber / Twist rate

.308 Match (1/11 - 30")

.308 Match (1/10 - 32")

6,5 Creedmoor (1/8,5 - 30")

6,5x47 Lapua (1/8,5 - 30")

### Barrel length

See section Caliber

### Weight

6,65 kg (14.66 lb) no scope, barrel length 30"

6,85 kg (15.12 lb) no scope, barrel length 32"

### Dimension

Overall length 1255 mm (49.41")

With barrel length 30"

Overall length 1305 mm (51.38")

With barrel length 32"

### Base rifle

Lothar Walther lapped button rifled barrel in AISI 420 with stainless steel finish, muzzle at 1"

Buttstock with a horizontal and vertical adjustment, and an insulated cheek piece

Ergonomic and interchangeable flat top grip standard AR platform

High-strength monobloc chassis in light alloy

Light profile forend with reinforcement points to achieve an overall rigidity, with an integrated Anschutz-type rail for mounting a bipod

20 MoA integrated action rail

Single-shot action in AISI 630 worked out from billet through milling and turning.

Bolt with six symmetric lugs, dirt/ice grooves integral

PVD finish on the action and on the bolt

Victrix Sporting T Single-stage adjustable trigger, standard setting approx. 250 gr (8.82 oz)

Explorer Cases case for transport cod. 13513

User manual and welcome kit

### Stock colour

Every and each component made of light alloy undergoes a hard black anodising.

Finish:



Hard Black Anodised

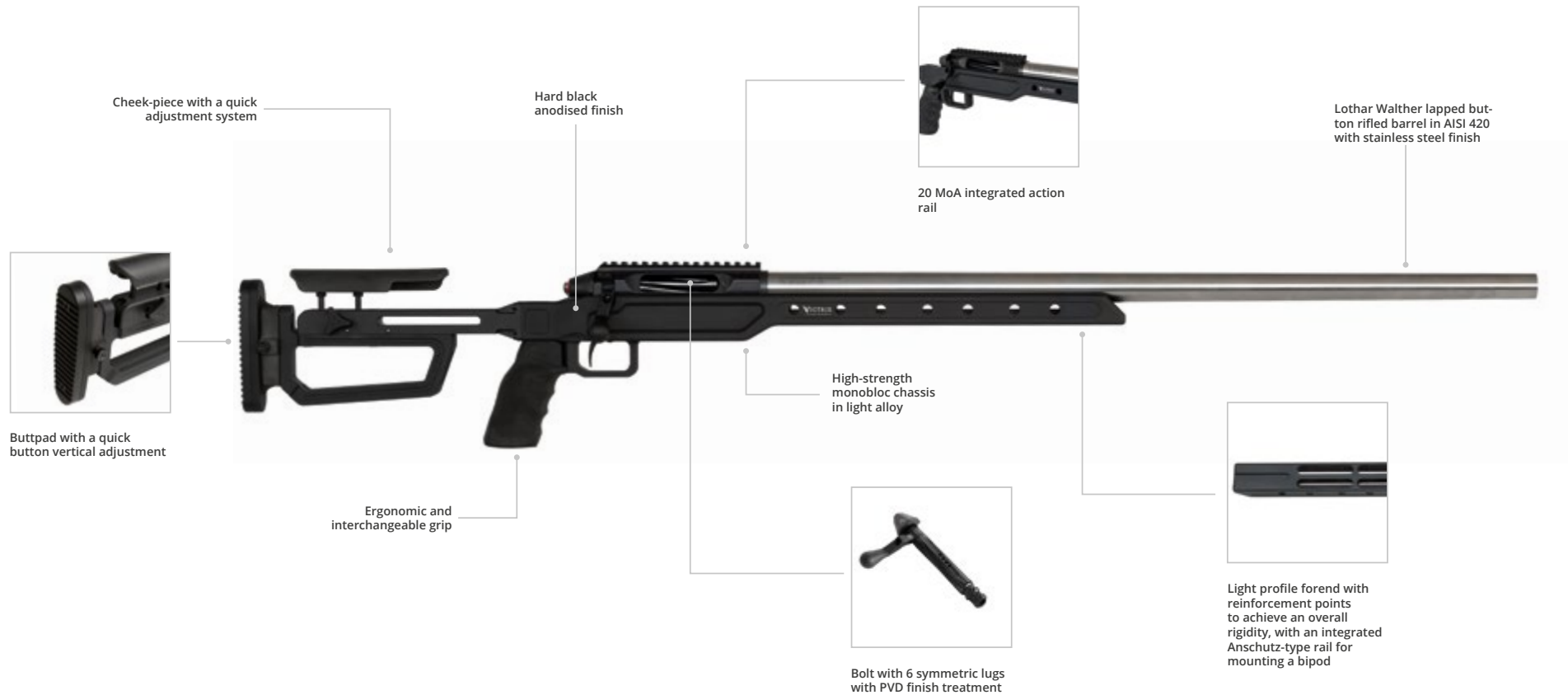


# ACCESSORIES AND DESIGN DETAILS

The accessories marked with the symbol



are part of the brand **ROME** that complement the Victrix system. You can buy these separately (if not included in the Victrix model) on our website [www.romeaccessories.it](http://www.romeaccessories.it)





**T** Challenge T





## CHALLENGE

### IN CONTINUOUS MOVEMENT.

Let us introduce you Challenge, the *all-round* Victorix Armaments sporting rifle. Take on the challenge, do not get caught unprepared: the first move is the most important.



# CHALLENGE T

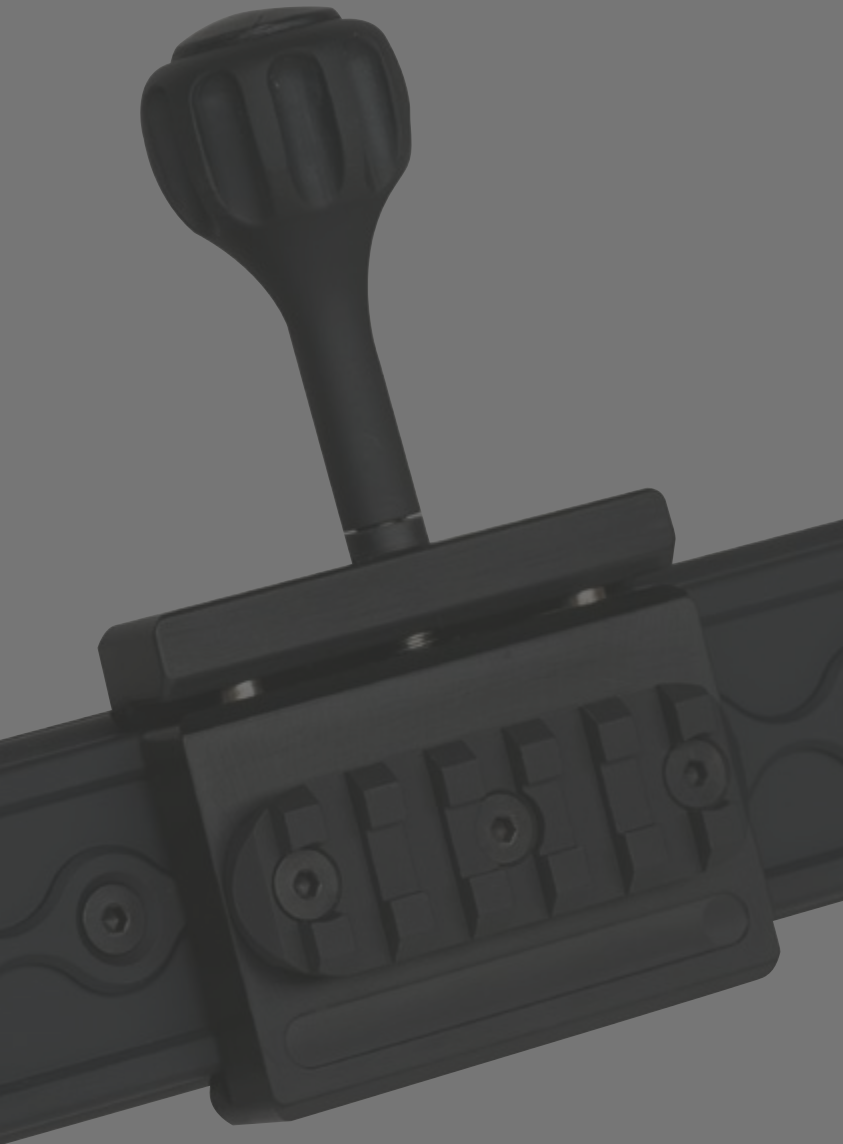


■ Hard Black Anodised



# CHALLENGE T

## DATA SHEET



### Destination use

Tactical  
Sporting  
Hunting

### Caliber / Twist rate

.308 Win. (1/11)  
.260 Remington (1/8.5)  
6,5 Creedmoor (1/8.5)  
6,5x47 Lapua (1/8.5)

### Barrel length

26"

### Weight

5,25 kg (11.57 lb) with an empty magazine,  
muzzle brake, barrel length 26" and no scope

### Dimension

Overall length 1216 mm (47.87")  
With muzzle brake and barrel length 26"

### Base rifle

Lothar Walther lapped button rifled barrel in AISI 420, CERAKOTE black matt finish  
Barrel muzzle thread M18x1mm  
Victrix Buttstock "Challenge" with a horizontal and vertical adjustment, and an insulated cheek piece  
Double stack and double feed 10-round metal magazine  
Fixed spacer  
Ergonomic and interchangeable grip flat top grip standard AR platform  
20 MoA integrated action rail  
Integrated Anschutz-type rail in light alloy for mounting a ROME Arca rail  
Victrix ProAngle detachable muzzle brake featuring 3 forward-canted chambers  
Short action in AISI 630 worked out from billet through milling and turning. Bolt with six symmetric lugs, dirt/ice grooves integral  
PVD finish on the action and on the bolt  
Muzzle thread protector  
Victrix Sporting Plus Single-Stage adjustable trigger with two positions top safety, standard setting approx. 400 gr (14.11 oz)  
Explorer Cases case for transport cod. 13513  
User manual and welcome kit

### Stock colour

Every and each component made of light alloy undergoes a 30 micron hard black anodising.  
Finish:

 Hard Black Anodised



# ACCESSORIES AND DESIGN DETAILS

The accessories marked with the symbol



are part of the brand **ROME** that complement the Victrix system. You can buy these separately (if not included in the Victrix model) on our website [www.romeaccessories.it](http://www.romeaccessories.it)



CHALLENGE T



V Crown V



## CROWN

### EVERY KING WEARS HIS CROWN.

Do you think you can be the next king of the 2 Miles? Choose our single-shot firearm designed for this competition. Place the order, pick it up, and compete. Scepter not included.



CORIX  
AMENTS

MSP

ARMA

ARMA



# CROWN V



Medium dark-grey with silver metallic



# CROWN V

## DATA SHEET



### Destination use

ELR Shooting

### Caliber / Twist rate

.375 CT (1/8)

.408 CT (1/10)

### Barrel length

38"

### Weight

14,3 kg (31.53 lb) with muzzle brake, barrel length 38" and no scope

### Dimension

Closed overall length: 1421 mm (55.95")

Open overall length: 1681 mm (66.18")

With muzzle brake and barrel length 38"

### Base rifle

Bartlein lapped rifled barrel in AISI 416R with stainless steel finish

Barrel muzzle thread M24x1mm

High-strength monobloc chassis in light alloy

Rear slider inclined at 3 degrees, vertically adjustable by a gold finished ring

Buttstock with a horizontal and vertical adjustment, and an insulated cheek piece

High-strength EVO folding system in light alloy

Ergonomic and interchangeable grip with palm shelf

45 MoA action rail in special steel

Anschutz-type bottom rail for mounting a bipod

Victrix ProAngle detachable muzzle brake featuring 5 forward-canted chambers

Single-shot action in AISI 420 worked out from billet through milling and turning with

finish on grinding machinery. Bolt with 3 symmetric lugs: first lug at the bottom of

the cylinder in vertical position (at 6 o'clock), two side lugs arranged at an angle of

120 degree, dirt/ice grooves integral

PVD finish on the action and on the bolt

Victrix Sporting Plus trigger with two positions top safety, standard setting approx.

500 gr (17.64 oz) and gold finish on the trigger lever

Muzzle thread protector

Explorer Cases case for transport cod. 13513

User manual and welcome kit

### Stock colour

Every and each component made of light alloy undergoes a hard black anodising

CERAKOTE ceramic polymer firearm coatings available in colour:

 Medium dark-grey with silver metallic

### Optional

Anschutz-type to picatinny accessory rail with quick detach attachments

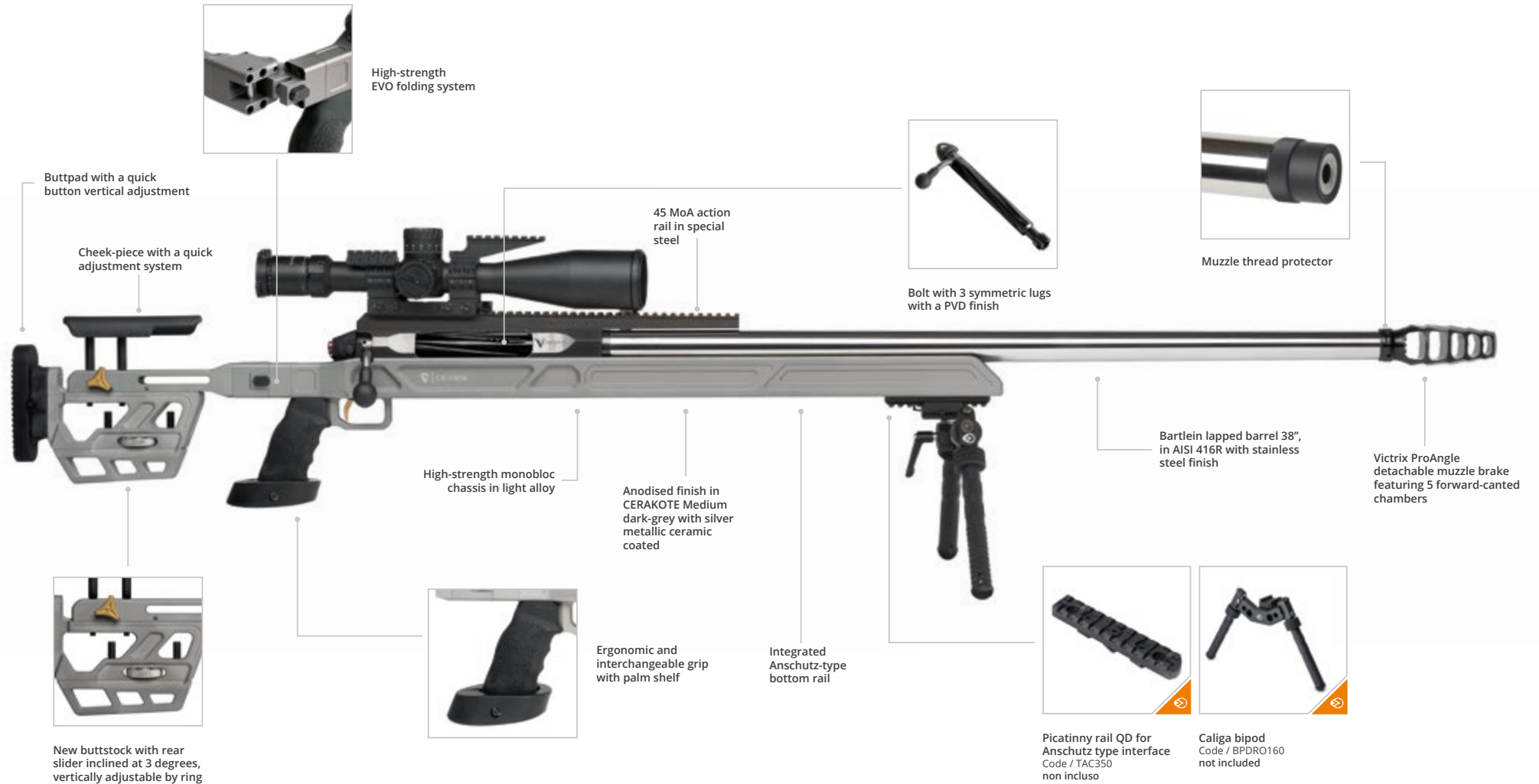


# ACCESSORIES AND DESIGN DETAILS

The accessories marked with the symbol



are part of the brand **ROME** that complement the Victrix system. You can buy these separately (if not included in the Victrix model) on our website [www.romeaccessories.it](http://www.romeaccessories.it)





V Throne V



## THRONE

### RIGHTFUL HEIRS.

To us, long distances hide few secrets. As well as the power struggles within our catalogue. Take your side: Victrix Throne with magazine or Crown single-shot. Same reliability, same concept of precision.



# THRONE V



■ Medium dark-grey with silver metallic



# THRONE V DATA SHEET

## Destination use

ELR TAC Shooting

## Caliber / Twist rate

.375 CT (1/8)

.408 CT (1/10)

## Barrel length

38"

## Weight

14,1 kg (31.08 lb) with an empty magazine, muzzle brake, barrel length 38" and no scope

## Dimension

Closed overall length: 1405 mm (53.31")

Open overall length: 1667 mm (65.63")

With muzzle brake and barrel length 38"

## Base rifle

Bartlein lapped rifled barrel in AISI 416R with stainless steel finish

Barrel muzzle thread M24x1mm

High-strength monobloc chassis in light alloy

Buttstock with a horizontal and vertical adjustment, and an insulated cheek piece

Single feed and single stack 7-round polymer magazine

High-strength EVO folding system in light alloy

Ergonomic and interchangeable grip with palm shelf

45 MoA action rail in special steel

Anschutz-type bottom rail for mounting a bipod

Victrix ProAngle detachable muzzle brake featuring 3 forward-canted chambers

Action in AISI 420 worked out from billet through milling and turning with finish on grinding machinery. Bolt with 3 symmetric lugs: first lug at the bottom of the cylinder

in vertical position (at 6 o'clock), two side lugs arranged at an angle of 120 degree, dirt/ice grooves integral

PVD finish on the action and on the bolt

Victrix Sporting Plus trigger with two positions top safety, standard setting approx.

500 gr (17.64 oz) and gold finish on the trigger lever

Muzzle thread protector

Explorer Cases case for transport cod. 13513

User manual and welcome kit

## Stock colour

Every and each component made of light alloy undergoes a hard black anodising CERAKOTE ceramic polymer firearm coatings available in colour:



Medium dark-grey with silver metallic

## Optional

Anschutz-type to picatinny accessory rail with quick detach attachments



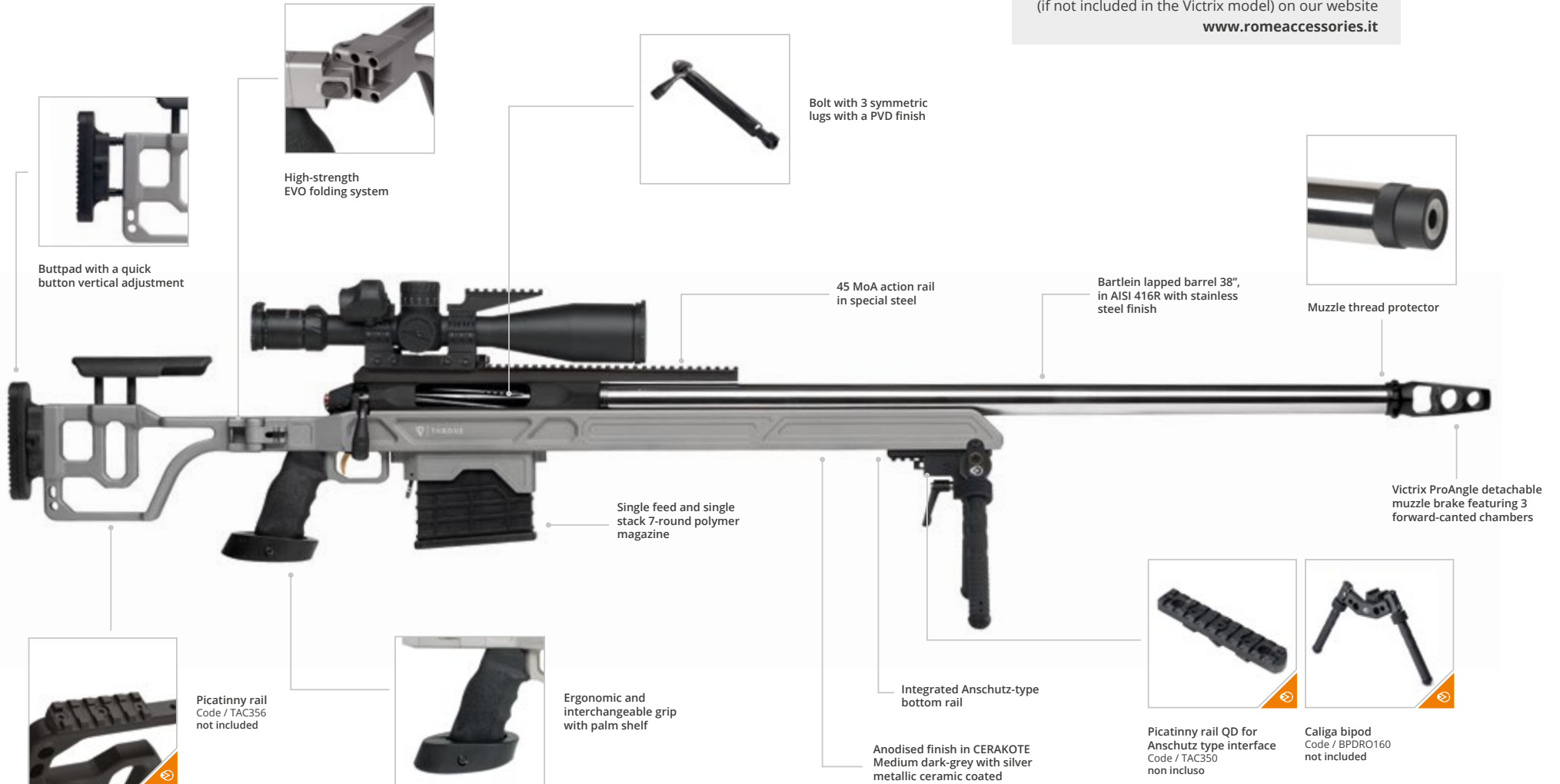


# ACCESSORIES AND DESIGN DETAILS

The accessories marked with the symbol



are part of the brand **ROME** that complement the Victrix system. You can buy these separately (if not included in the Victrix model) on our website [www.romeaccessories.it](http://www.romeaccessories.it)



THRONE V



**V** Target V



**T** Target T



**X** Target X



## TARGET

### THE FIRST, THE MOST SUCCESSFUL.

Being a forerunner means having a main advantage: time. Our Victrix Target boasts victories in F-Class FTR nationals, worldwide championships, and competitions. Being the first means having a main advantage: time.



# TARGET V



 Blue River



 Green Mountain



# TARGET V

## DATA SHEET



### Destination use

Sporting by bipod

### Caliber / Twist rate

.308 Match (1/11 - 30")  
.308 Match (1/10 - 32")  
.308 Match (1/9,5 - 32")  
.300 WSM (1/10 - 32")  
.300 WSM (1/9,5 - 32")  
7/270 WSM (1/8,5 - 32")  
.284 Win. (1/8,5 - 32")  
.308 Win. (1/11 - 30")  
6,5 Creedmoor (1/8,5 - 30")  
6,5×47 Lapua (1/8,5 - 30")  
6 XC (1/8,5 - 28")  
6 BR (1/8,5 - 28")

### Barrel length

See section Caliber

### Weight

6,34 kg (13.98 lb) no scope, barrel length 28"  
6,50 kg (14.33 lb) no scope, barrel length 30"  
6,72 kg (14.82 lb) no scope, barrel length 32"  
The weight may vary of +/- 100 gr (3.53 oz)  
depending on the origin of the raw material

### Dimension

Overall length 1175 mm (46.26")  
with barrel length 28"

Overall length 1230 mm (48.43")  
with barrel length 30"

Overall length 1280 mm (50.39")  
with barrel length 32"

### Base rifle

Benchmark lapped button rifled barrel in AISI 416R with stainless steel finish, muzzle at 1"

Laminate wood stock

Anima® system, stock with a monolithic bedding in light alloy

20 MoA action rail in light alloy

Anschutz-type rail in light alloy for mounting a bipod

Single-shot action in AISI 630 worked out from billet through milling and turning with finish on electro-discharge and grinding machinery. Bolt with three asymmetric lugs: first lug on top of the cylinder in vertical position (at 12 o'clock), two side lugs arranged at an angle of 105 degree lift, dirt/ice grooves integral

PVD finish on the action and on the bolt

Victrix Sporting V Single-stage adjustable trigger: standard setting approx. 60 gr (2.12 oz)

Explorer Cases case for transport cod. 13513

User manual and welcome kit

### Stock colour

All stocks are in laminate wood and available in the following colours:



Blue River



Green Mountain

### Optional

Vertical Adjustment Victrix Sporting

Spacer Victrix Sporting



# ACCESSORIES AND DESIGN DETAILS

The accessories marked with the symbol



are part of the brand **ROME** that complement the Victrix system. You can buy these separately (if not included in the Victrix model) on our website [www.romeaccessories.it](http://www.romeaccessories.it)



Anima® system, stock with a monolithic bedding in light alloy



20 MoA action rail in light alloy



Bolt with three asymmetric lugs

Benchmark lapped button rifled barrel in AISI 416R with stainless steel finish

New Laminate wood stock



Spacer Victrix Sporting  
Code / PAL  
not included



Vertical Adjustment  
Victrix Sporting  
Code / PAL531  
not included

Ring for a quick adjustment of the cheek-piece

Interchangeable bolt knob in light alloy



Single-shot action in AISI 630 worked out from billet through milling and turning with finish on electro-discharge and grinding machinery.



Anschutz-type rail in light alloy for mounting a bipod





# TARGET T



 Blue River

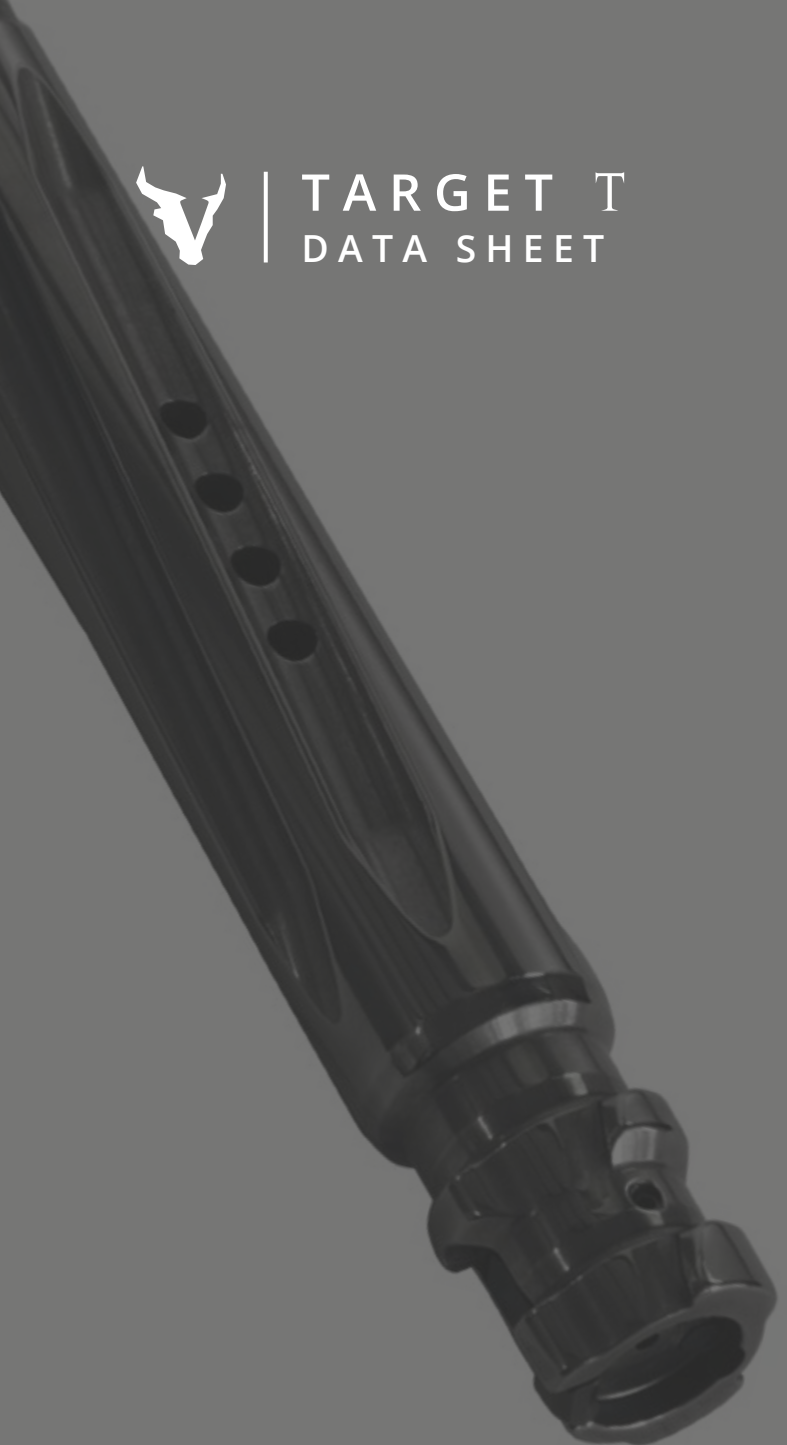


 Green Mountain



# TARGET T

## DATA SHEET



### Destination use

Sporting by bipod

### Caliber / Twist rate

.308 Match (1/11 - 30")  
.308 Match (1/10 - 32")  
6,5 Creedmoor (1/8,5 - 30")  
6,5x47 Lapua (1/8,5 - 30")

### Barrel length

See calibers above

### Weight

6,60 kg (14.55 lb) no scope, barrel length 30"  
6,82 kg (15.03 lb) no scope, barrel length 32"  
The weight may vary of +/- 100 gr (3.53 oz)  
depending on the origin of the raw material

### Dimension

Overall length 1230 mm (48.43")  
with barrel length 30"

Overall length 1280 mm (50.39")  
with barrel length 32"

### Base rifle

Lothar Walther lapped button rifled barrel in AISI 420 with stainless steel finish, muzzle at 1"  
Laminate wood stock  
Anima® system, stock with a monolithic bedding in light alloy  
20 MoA integrated action rail  
Anschutz-type rail in light alloy for mounting a bipod  
Single-shot action in AISI 630 worked out from billet through milling and turning.  
Bolt with six symmetric lugs, dirt/ice grooves integral  
PVD finish on the action and on the bolt  
Victrix Sporting T Single-stage adjustable trigger: standard setting approx. 250 gr (8.82 oz)  
Explorer Cases case for transport with cod. 13513  
User manual and welcome kit

### Stock colour

All stocks are in laminate wood and available in the following colours:



Blue River



Green Mountain

### Optional

Vertical Adjustment Victrix Sporting  
Spacer Victrix Sporting



# ACCESSORIES AND DESIGN DETAILS

The accessories marked with the symbol



are part of the brand **ROME** that complement the Victrix system. You can buy these separately (if not included in the Victrix model) on our website [www.romeaccessories.it](http://www.romeaccessories.it)



Anima® system, stock with a monolithic bedding in light alloy

New Laminate wood stock

Bolt with six symmetric lugs

Lothar Walther lapped button rifled barrel in AISI 420 with stainless steel finish

Spacer Victrix Sporting Code / PAL not included

Interchangeable bolt knob in light alloy

Anschutz-type rail in light alloy for mounting a bipod

Vertical Adjustment Victrix Sporting Code / PALS31 not included

Ring for a quick adjustment of the cheek-piece

Single-shot action in AISI 630 worked out from billet through milling and turning



# TARGET X



 Blue River

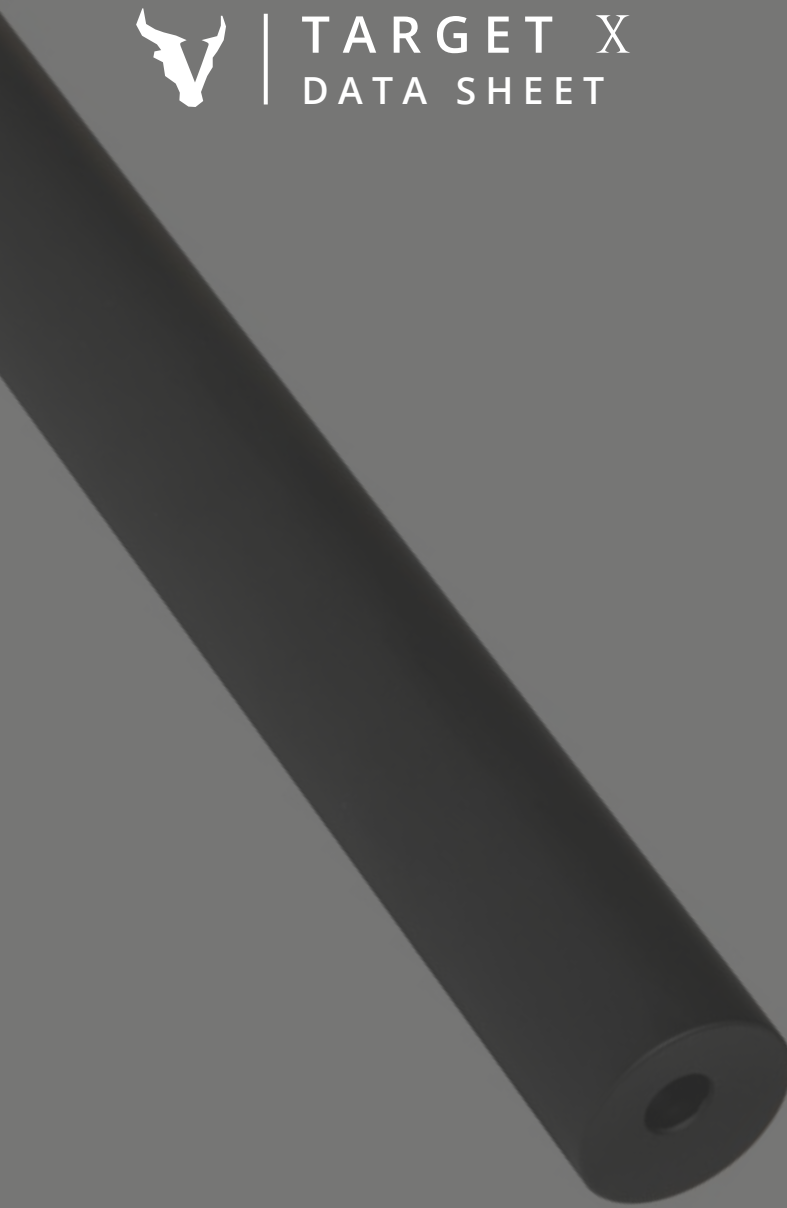


 Green Mountain



# TARGET X

## DATA SHEET



### Destination use

Sporting by bipod

### Caliber / Twist rate

.308 Match (1/11 - 30")  
6,5 Creedmoor (1/8 - 30")  
6,5x47 Lapua (1/8 - 30")

### Barrel length

30"

### Weight

6,90 kg (15.21 lb) no scope, barrel length 30"  
The weight may vary of +/- 100 gr (3.53 oz)  
depending on the origin of the raw material

### Dimension

Overall length 1230 mm (48.42")  
with barrel length 30"

### Base rifle

Lothar Walther hammer-forged rifled barrel in special steel, CERAKOTE black matt finish, muzzle at 1"  
Laminate wood stock  
Anima® system, stock with a monolithic bedding in light alloy  
20 MoA integrated action rail  
Anschutz-type rail in light alloy for mounting a bipod  
Short action in AISI 630 worked out from billet through milling and turning. Bolt with six symmetric lugs, equipped with grooves and an interchangeable bolt lever  
PVD finish on the action and on the bolt  
Victrix Sporting X adjustable Single-stage: standard setting approx. 700 gr (24.70 oz)  
Explorer Cases case for transport cod. 13513  
User manual and welcome kit

### Stock colour

All stocks are in laminate wood and available in the following colours:



Blue River



Green Mountain

### Optional

Vertical Adjustment Victrix Sporting  
Spacer Victrix Sporting



# ACCESSORIES AND DESIGN DETAILS

The accessories marked with the symbol



are part of the brand **ROME** that complement the Victrix system. You can buy these separately (if not included in the Victrix model) on our website [www.romeaccessories.it](http://www.romeaccessories.it)



Anima® system, stock with a monolithic bedding in light alloy



New Laminite wood stock



Spacer Victrix Sporting  
Code / PAL  
not included



Vertical Adjustment  
Victrix Sporting  
Code / PAL531  
not included

Ring for a quick adjustment of the cheek-piece

Victrix Sporting X adjustable Single-stage trigger without safety



Short action in AISI 630 worked out from billet through milling and turning.



New bolt with 6 symmetric lugs with an interchangeable lever

Lothar Walther hammer-forged rifled barrel in special steel, CERAKOTE black matt finish



Anschutz-type rail in light alloy for mounting a bipod



**V** Absolute V





## ABSOLUTE

### 8 AM. THE CLASS IS OPEN.

With Victrix Absolute, let's open chapter 1 of our book. Precision, Feeling, Stability. We installed a plate in special alloy in the forend of our stock, on the forefront in contact with the rest. Why? To balance the weight and reaction, and in the meantime to stiffen and gain more accuracy and feeling while shooting.



# ABSOLUTE V



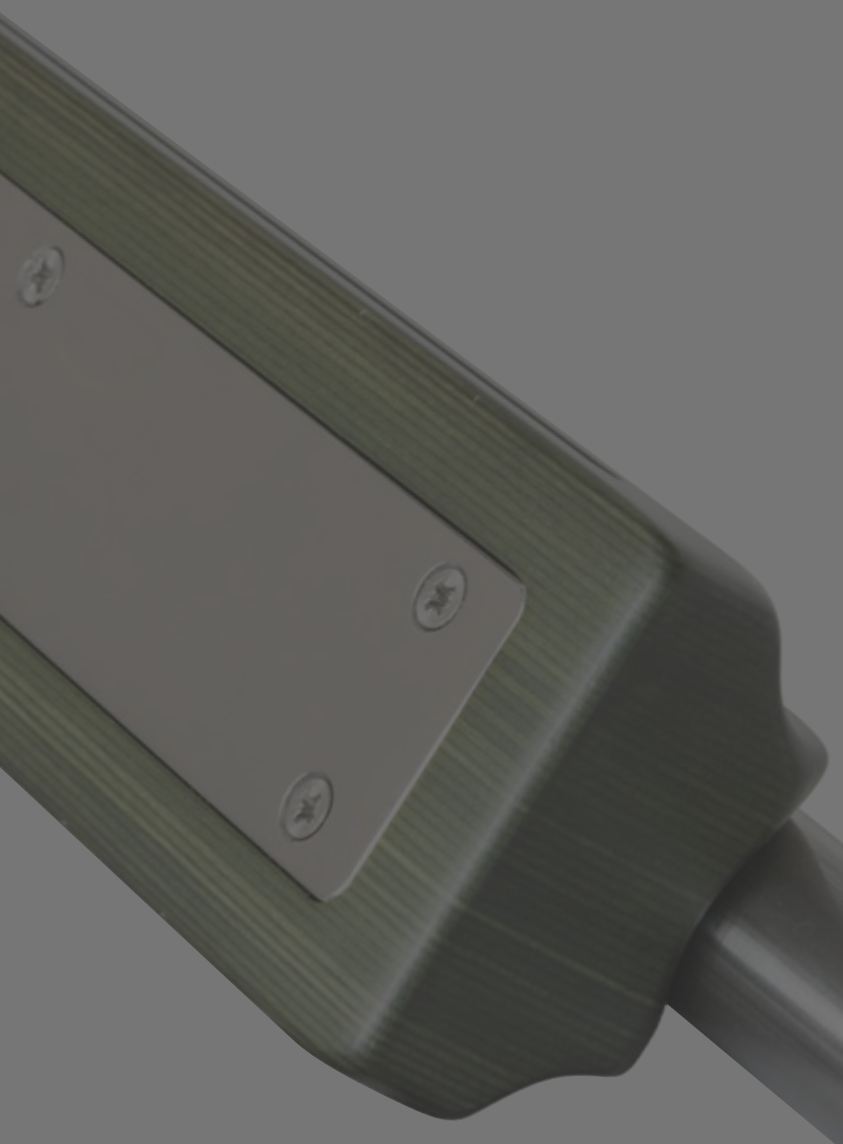
 Blue River



 Green Mountain



# ABSOLUTE V DATA SHEET



## Destination use

Sporting by rest

## Caliber / Twist rate

.308 Match (1/11 - 30")  
.308 Match (1/10 - 32")  
.308 Match (1/9,5 - 32")  
.300 WSM (1/10 - 32")  
.300 WSM (1/9,5 - 32")  
7/270 WSM (1/8,5 - 32")  
.284 Win. (1/8,5 - 32")  
.308 Win. (1/11 - 30")  
6,5 Creedmoor (1/8,5 - 30")  
6,5×47 Lapua (1/8,5 - 30")  
6 XC (1/8,5 - 28")  
6 BR (1/8,5 - 28")

## Barrel length

See section Caliber

## Weight

8,20 kg (18.08 lb) no scope, barrel length 28"  
8,36 kg (18.43 lb) no scope, barrel length 30"  
8,58 kg (18.92 lb) no scope, barrel length 32"  
The weight may vary of +/- 100 gr (3.53 oz)  
depending on the origin of the raw material

## Dimension

Overall length 1200 mm (47,24")  
With barrel length 28"

Overall length 1250 mm (49,21")  
With barrel length 30"

Overall length 1300 mm (51,18")  
With barrel length 32"



## Base rifle

Benchmark lapped button rifled barrel in AISI 416R with stainless steel finish, muzzle at 1"  
Laminate wood stock  
Anima® system, stock with a monolithic bedding in light alloy  
20 MoA action rail in light alloy  
Plate in special steel mounted into the front of the stock for using by rest  
Single-shot action in AISI 630 worked out from billet through milling and turning with  
finish on electro-discharge and grinding machinery. Bolt with three asymmetric lugs:  
first lug on top of the cylinder in vertical position (at 12 o'clock), two side lugs arranged  
at an angle of 105 degree lift, dirt/ice grooves integral  
PVD finish on the action and on the bolt  
Victrix Sporting V Single-stage adjustable trigger: standard setting approx. 60 gr (2.12 oz)  
Vertical Adjustment Victrix Sporting  
Explorer Cases case for transport cod. 13513  
User manual and welcome kit

## Stock colour

All stocks are in laminate wood and available in the following colours:



Blue River



Green Mountain

## Optional

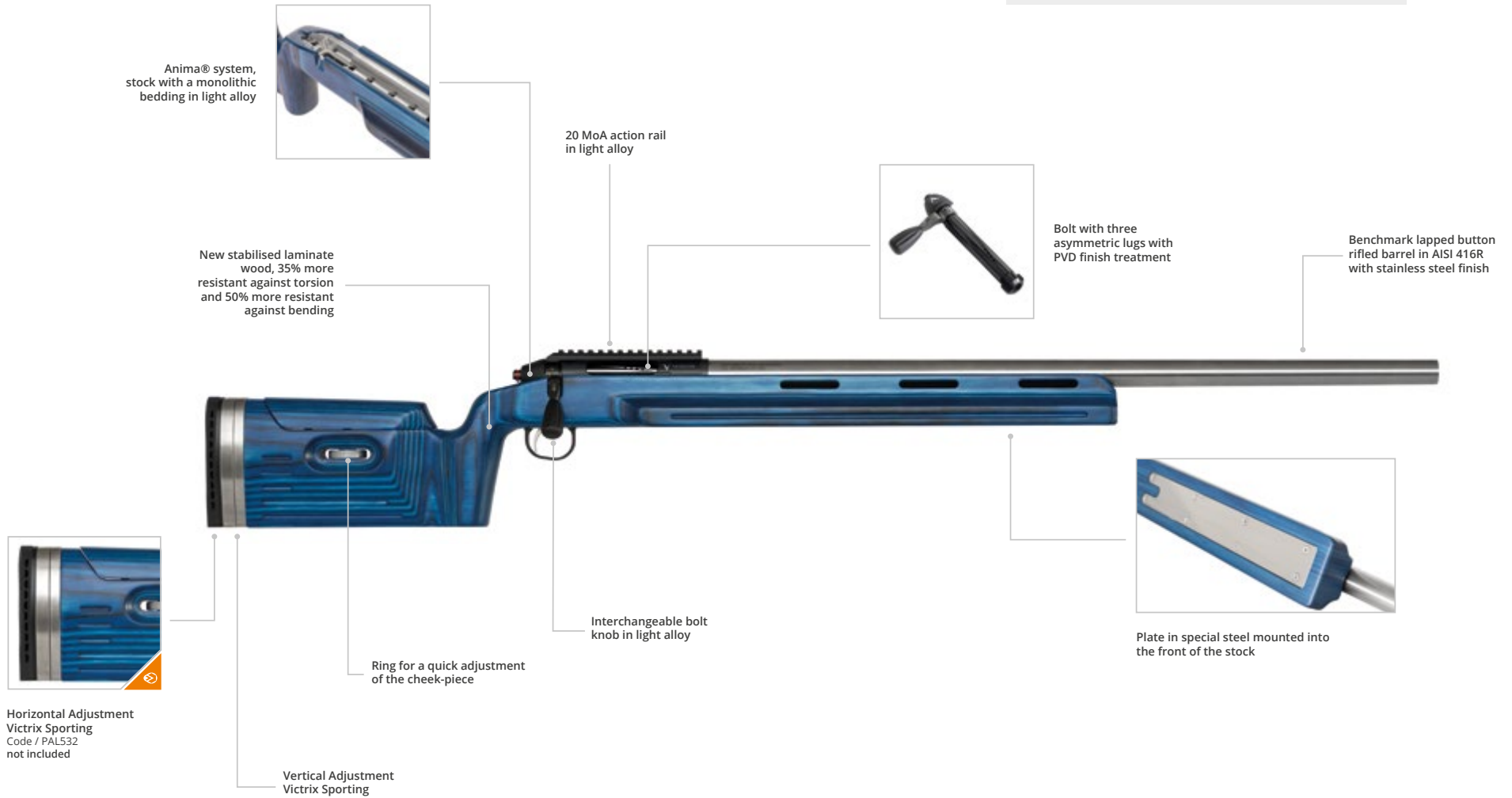
Horizontal Adjustment Victrix Sporting

# ACCESSORIES AND DESIGN DETAILS

The accessories marked with the symbol



are part of the brand **ROME** that complement the Victrix system. You can buy these separately (if not included in the Victrix model) on our website [www.romeaccessories.it](http://www.romeaccessories.it)







VICTRIX  
SMALL BORE

**FINALLY PROOF THAT SIZE  
DOESN'T ALWAYS MATTER**

Not always the most widespread beliefs correspond to reality. Here's why it's important to expand the horizons: it's time to give precision shooting a new dimension.

We present you the new Victrix Small Bore line in .22 L.R. Little noise, no recoil, zeroed reloading time, low operating costs, maximum precision and extreme fun, in perfect Victrix Armaments style.



**V** Pugio Small Bore





## PUGIO SMALL BORE

### SHORT IS BETTER, EVEN IN SMALL CALIBER

The most compact firearm system in our catalogue is now available in our Small Bore version. Victrix Pugio Small Bore stands for precision, resistance, compactness and small size. Just the caliber is smaller whilst precision and reliability remain unchanged!

VICTRIX



# PUGIO

## SMALL BORE



Dark Grey



Dark Olive Drab Green



Medium Flat Brown



# PUGIO SMALL BORE DATA SHEET

## Destination use

Sporting  
Military training

## Caliber / Twist rate

.22 L.R. (1/16)

## Barrel length

16"

## Weight

5,51 kg (12.15 lb) with an empty magazine,  
threaded muzzle cover ring and no scope

## Dimension

Closed overall length: 652 mm (25.66")  
Open overall length: 898 mm (35.35")  
with muzzle thread protector

## Base rifle

Lothar Walther hammer-forged rifled barrel in special steel

Barrel muzzle thread M18x1mm

Buttstock with horizontal and vertical multiple lever adjustments, a retractable monopod with quick positioning adjustment and fine adjustment, and an insulated cheek piece

Single feed and single stack 10-round magazine

Reversible EVO button folding system

Octagonal elliptic forend with M-LOK® system, a 20 MoA integrated monobloc top rail and an integrated monobloc rail for mounting a bipod according to STANAG 4694/Mil std 1913

4694/Mil std 1913

Ergonomic and interchangeable zero angle flat top grip for standard AR platform

20 MoA action rail according to STANAG 4694/Mil std 1913

Muzzle thread protector

Detachable multifunction carry handle with quick mount:

- with QM (Quick mount) attachment for picatinny rail
- ergonomic handle
- integrated picatinny rail
- hook for rope attachment
- QD (Quick detach) attachments
- tripod attachment with 1/4" – 20 UNC and 3/8" – 16 UNC threads
- front magnetic bit holder for field maintenance

Action in AISI 630 worked out from billet

Bolt with two asymmetric rear lugs arranged at an angle of 60-degree lift, with a quick disassembly system and a double extractor

PVD finish on the action and on the bolt

Victrix Sporting Plus Single-stage adjustable trigger with a two-position safety: standard setting approx. 250 gr (8.82 oz)

Explorer Cases case for transport cod. 13513

User manual and welcome kit

## Stock colour

Every and each component made of light alloy undergoes a hard black anodising CERAKOTE ceramic polymer firearm coatings available in three colours:

 Dark Grey

 Dark Olive Drab Green

 Medium Flat Brown



## Optional

Side picatinny rails for forend with M-LOK® system according to STANAG 4694/Mil std 1913

45 MoA action rail according to STANAG 4694/Mil std 1913

# ACCESSORIES AND DESIGN DETAILS

The accessories marked with the symbol



are part of the brand **ROME** that complement the Victrix system. You can buy these separately (if not included in the Victrix model) on our website [www.romeaccessories.it](http://www.romeaccessories.it)





 Gladio Small Bore



## GLADIO SMALL BORE

### ANCIENT ROOTS

Our tribute to the weapon of the ancient Rome that conquered the world known until then wears today a brand-new look: Victrix Small Bore breaks through the borders and conquer new and uncharted territories.





# GLADIO

SMALL BORE



■ Hard Black Anodised



■ Dark Grey



■ Dark Olive Drab Green



■ Medium Flat Brown



# GLADIO SMALL BORE DATA SHEET

## Destination use

Sporting  
Military training

## Caliber / Twist rate

.22 L.R. (1/16)

## Barrel length

22"  
24"  
26"

## Weight

5,95 kg (13.12 lb) with an empty magazine  
barrell length 22" and no scope

6,08 kg (13.40 lb) with an empty magazine  
barrell length 24" and no scope

6,20 kg (13.67 lb) with an empty magazine  
barrell length 26" and no scope

## Dimension

Closed overall length: 804 mm (31.65")  
Open overall length: 1050 mm (41.33")  
With muzzle thread protector and barrel  
length 22"

Closed overall length: 854 mm (33.62")  
Open overall length: 1100 mm (43.30")  
With muzzle thread protector and barrel  
length 24"

Closed overall length: 906 mm (35.66")  
Open overall length: 1152 mm (45.35")  
With muzzle thread protector and barrel  
length 26"



## Base rifle

Lothar Walther hammer-forged rifled barrel in special steel

Barrel muzzle thread M18x1mm

Buttstock with horizontal and vertical multiple lever adjustments, a retractable monopod with quick positioning adjustment and fine adjustment, and an insulated cheek piece

Single feed and single stack 10-round magazine

Reversible EVO button folding system

Octagonal elliptic forend with M-LOK® system, a 20 MoA integrated monobloc top rail and an integrated monobloc rail for mounting a bipod according to STANAG 4694/Mil std 1913

Ergonomic and interchangeable zero angle flat top grip for standard AR platform

20 MoA action rail according to STANAG 4694/Mil std 1913

Muzzle thread protector

Detachable multifunction carry handle with quick mount:

- with QM (Quick mount) attachment for picatinny rail
- ergonomic handle
- integrated picatinny rail
- hook for rope attachment
- QD (Quick detach) attachments
- tripod attachment with 1/4" – 20 UNC and 3/8" – 16 UNC threads
- front magnetic bit holder for field maintenance

Action in AISI 630 worked out from billet

Bolt with two asymmetric rear lugs arranged at an angle of 60 degree lift, with a quick disassembly system and a double extractor

PVD finish on the action and on the bolt

Victrix Sporting Plus Single-stage adjustable trigger with a two-position safety: standard setting approx. 250 gr (8.82 oz)

Explorer Cases case for transport cod. 13513

User manual and welcome kit

## Stock colour

Every and each component made of light alloy undergoes a 30 micron hard black anodising

Finish:

 Hard Black Anodised

CERAKOTE ceramic polymer firearm coatings available in three colours:

 Dark Grey

 Dark Olive Drab Green

 Medium Flat Brown

## Optional

Side picatinny rails for forend with M-LOK® system according to STANAG 4694/Mil std 1913

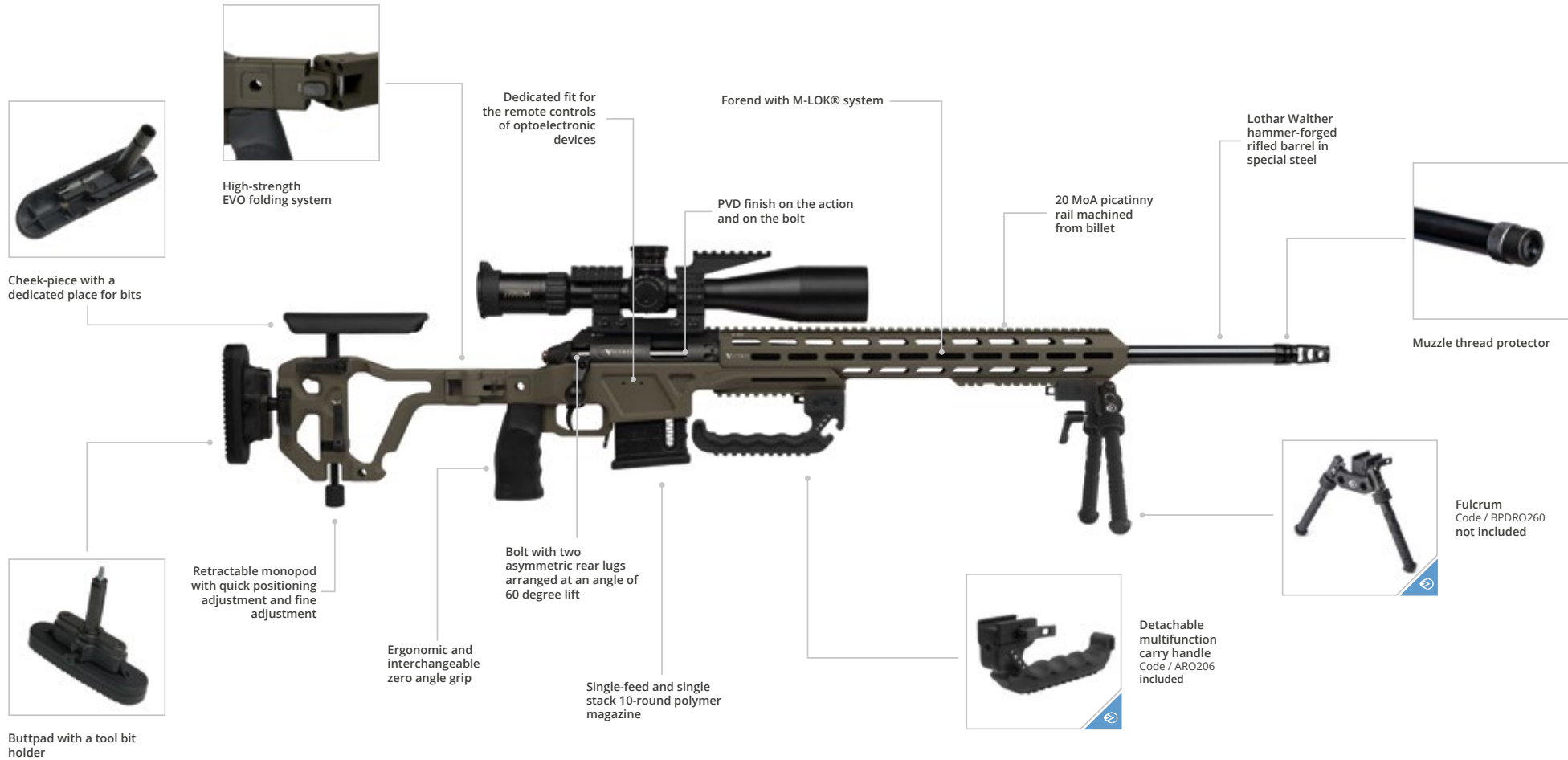
45 MoA action rail according to STANAG 4694/Mil std 1913

# ACCESSORIES AND DESIGN DETAILS

The accessories marked with the symbol



are part of the brand **ROME** that complement the Victrix system. You can buy these separately (if not included in the Victrix model) on our website [www.romeaccessories.it](http://www.romeaccessories.it)





 Venus PRO Small Bore



## VENUS PRO SMALL BORE

### GREAT IN SMALL THINGS

If it is true that small things make great changes, get ready to experience precision shooting otherwise with our new Victrix Venus PRO Small Bore. Small caliber, great performance.



20 MOA

VICTRIX  
ARMS

ROTTIGNI OFFICIAL  
Cal. 22 L.R. 1/16 IN

AR-15



VICTRIX

22 LR

VENUS

SMALL BORE



Hit Blue



# VENUS PRO SMALL BORE DATA SHEET

## Destination use

Sporting ideal for dynamic long range precision shooting

## Caliber / Twist rate

.22 L.R. (1/16)

## Barrel length

22"

24"

26"

## Weight

6,24 kg (13.76 lb) with an empty magazine, with muzzle thread protector, barrel length 22" and no scope

6,44 kg (14.20 lb) with an empty magazine, with muzzle thread protector, barrel length 24" and no scope

6.64 kg (14.64 lb) with an empty magazine, with muzzle thread protector, barrel length 26" and no scope

## Dimension

Closed overall length: 804 mm (31.65")

Open overall length: 1043 mm (41.06")

With muzzle thread protector and barrel length 22"

Closed overall length: 855 mm (33.66")

Open overall length: 1094 mm (43.07")

With muzzle thread protector and barrel length 24"

Closed overall length: 906 mm (35.66")

Open overall length: 1145 mm (45.08")

With muzzle thread protector and barrel length 26"

## Base rifle

Hammer-forged rifled barrel in special steel with 1.250" \_1.000" contour

Barrel muzzle thread M18x1mm

Buttstock with horizontal and vertical multiple button adjustments and an adjustable insulated cheek piece, equipped with an Picatinny rail on the underside

Metal double stack single feed 10-round magazine

Reversible EVO button folding system

High-strength monobloc chassis in light alloy ready to mount accessoires or hold ammunition, and an ergonomic thumb rest

Light profile forend in light alloy equipped with a side M-LOK® system, an integrated Anschütz-type rail in the middle and an integrated Arca rail that run the entire length

Interchangeable barricade stop to protect the magazine

Wider trigger guard

Ergonomic and interchangeable zero angle flat top grip for standard AR platform

20 MoA action rail in light alloy

Muzzle thread protector

Action in AISI 630 worked out from billet

Bolt with two asymmetric rear lugs arranged at an angle of 60 degree lift, with a quick disassembly system and a double extractor

PVD finish on the action and on the bolt

Victrix Sporting Plus Single-stage adjustable trigger with a two-position safety: standard setting approx. 250 gr (8.82 oz)

Explorer Cases case for transport cod. 13513

User manual and welcome kit

## Stock colour

Every and each component made of light alloy undergoes a hard black anodising CERAKOTE ceramic polymer firearm coatings available in colour:

 Hit Blue

## Optional

Nr. 2 side forend weights for M-LOK® system

45 MoA action rail in light alloy

Handguard cover on the front with Picatinny rail 172,5 mm (6.79")

Handguard cover on the front with Picatinny rail 296 mm (11.65")





# ACCESSORIES AND DESIGN DETAILS

The accessories marked with the symbol



are part of the brand **ROME** that complement the Victrix system. You can buy these separately (if not included in the Victrix model) on our website [www.romeaccessories.it](http://www.romeaccessories.it)





**V** Venus Small Bore



## VENUS SMALL BORE

### THE CHARM IS ALSO IN SMALLER THINGS

Our rifle designed for dynamic precision long range shooting is now available in an unedited version.

Victrix Venus Small Bore is the Victrix Armaments sporting series rifle which celebrates the charm of precision in the PRS Rimfire world.

Leave the unexpected, to your competitors.




# ^ VENUS ^

SMALL BORE



 Orobic Blue



 Hard Black Anodised



# VENUS SMALL BORE DATA SHEET



## Destination use

Sporting ideal for dynamic precision long range shooting

## Caliber / Twist rate

.22 L.R. (1/16)

## Barrel length

22"

24"

26"

## Weight

5,15 kg (11.36 lb), with an empty magazine, barrell length 22" and no scope

5,28 kg (11.64 lb), with an empty magazine, barrell length 24" and no scope

5,40 kg (11.90 lb), with an empty magazine, barrell length 26" and no scope

## Dimension

Overall length: 1025 mm (40.35") with muzzle thread protector and barrel length 22"

Overall length: 1076 mm (42.36") with muzzle thread protector and barrel length 24"

Overall length: 1127 mm (44.37") with muzzle thread protector and barrel length 26"

## Base rifle

Lothar Walther hammer-forged rifled barrel in special steel

Barrel muzzle thread M18x1mm

Buttstock with horizontal and vertical multiple button adjustments and an adjustable insulated cheek piece, equipped with an Anschutz-type rail on the underside

Single-feed and single stack 10-round polymer magazine

High-strength monobloc chassis in light alloy

Light profile forend in light alloy equipped with a side M-LOK® system and QD (Quick Detach) attachments, an integrated Anschutz-type rail in the middle and an integrated Arca rail that runs the entire length

Ergonomic and interchangeable zero angle flat top grip for standard AR platform 20 MoA action rail in light alloy

Muzzle thread protector

Action in AISI 630 worked out from billet

Bolt with two asymmetric rear lugs arranged at an angle of 60 degree lift, with a quick disassembly system and a double extractor

PVD finish on the action and on the bolt

Victrix Sporting Plus Single-stage adjustable trigger with a two-position safety: standard setting approx. 250 gr (8.82 oz)

Explorer Cases case for transport cod. 13513

User manual and welcome kit

## Stock colour

Every and each component made of light alloy undergoes a 30 micron hard black anodising

Finish:

 Hard Black Anodised

CERAKOTE ceramic polymer firearm coatings available in colour:

 Orobic Blue

## Optional

45 MoA action rail in light alloy



# ACCESSORIES AND DESIGN DETAILS

The accessories marked with the symbol



are part of the brand **ROME** that complement the Victrix system. You can buy these separately (if not included in the Victrix model) on our website [www.romeaccessories.it](http://www.romeaccessories.it)





 Scepter Small Bore





## SCEPTER SMALL BORE

### A SMALL SCEPTER FOR A GREAT KING!

Our royal family is growing: Scepter Small Bore is the new frontier of .22 ELR shooting, it's a small scepter that will make of you a great king.



# SCEPTER

SMALL BORE





# SCEPTER SMALL BORE DATA SHEET

## Destination use

Precision sport shooting

## Caliber / Twist rate

.22 L.R. (1/16)

.22 L.R. (1/7) Ideal for ammunition reloaded with solid bullets

.22 L.R. (1/10) Ideal for ammunition reloaded with solid bullets

## Barrel length

24"

24" with threaded muzzle

27"

27" with threaded muzzle

## Weight

6,30 kg (13.89 lb) with barrel length 24" and no scope

6,29 kg (13.87 lb) with barrel length 24", muzzle thread protector and no scope

6,60 kg (14.55 lb) with barrel length 27" and no scope

6,59 kg (14.53 lb) with barrel length 27", muzzle thread protector and no scope

The weight may vary of +/- 100 gr (3.53 oz) depending on the origin of the raw material

## Dimension

Overall length 1083 mm (42.64") with barrel length 24"

Overall length 1160 mm (45.67") with barrel length 27"



## Base rifle

Lothar Walther hammer-forged rifled barrel in special steel

Barrel muzzle thread M18x1mm

Buttstock with a horizontal and vertical adjustment, and an insulated cheek piece

Rear slider inclined at 3 degrees, vertically adjustable by ring

Reversible EVO button folding system

Ergonomic and interchangeable zero angle flat top grip standard AR platform

High-strength monobloc chassis in light alloy

Light profile forend with reinforcement points to achieve an overall rigidity, with an integrated Anschutz-type rail for mounting a bipod

20 MoA action rail in light alloy

Muzzle thread protector (where provided)

Single-shot action in AISI 630 worked out from billet

Bolt with two asymmetric rear lugs arranged at an angle of 60 degree lift, with a quick disassembly system and a double extractor

PVD finish on the action and on the bolt

Victrix Sporting V Single-stage adjustable trigger: standard setting approx. 40 gr (1.41 oz)

Explorer Case case for transport cod. 13513

User manual and welcome kit

## Stock colour

Every and each component made of light alloy undergoes a hard black anodising CERAKOTE ceramic polymer firearm coatings available in colour:



Orobic Blue

## Optional

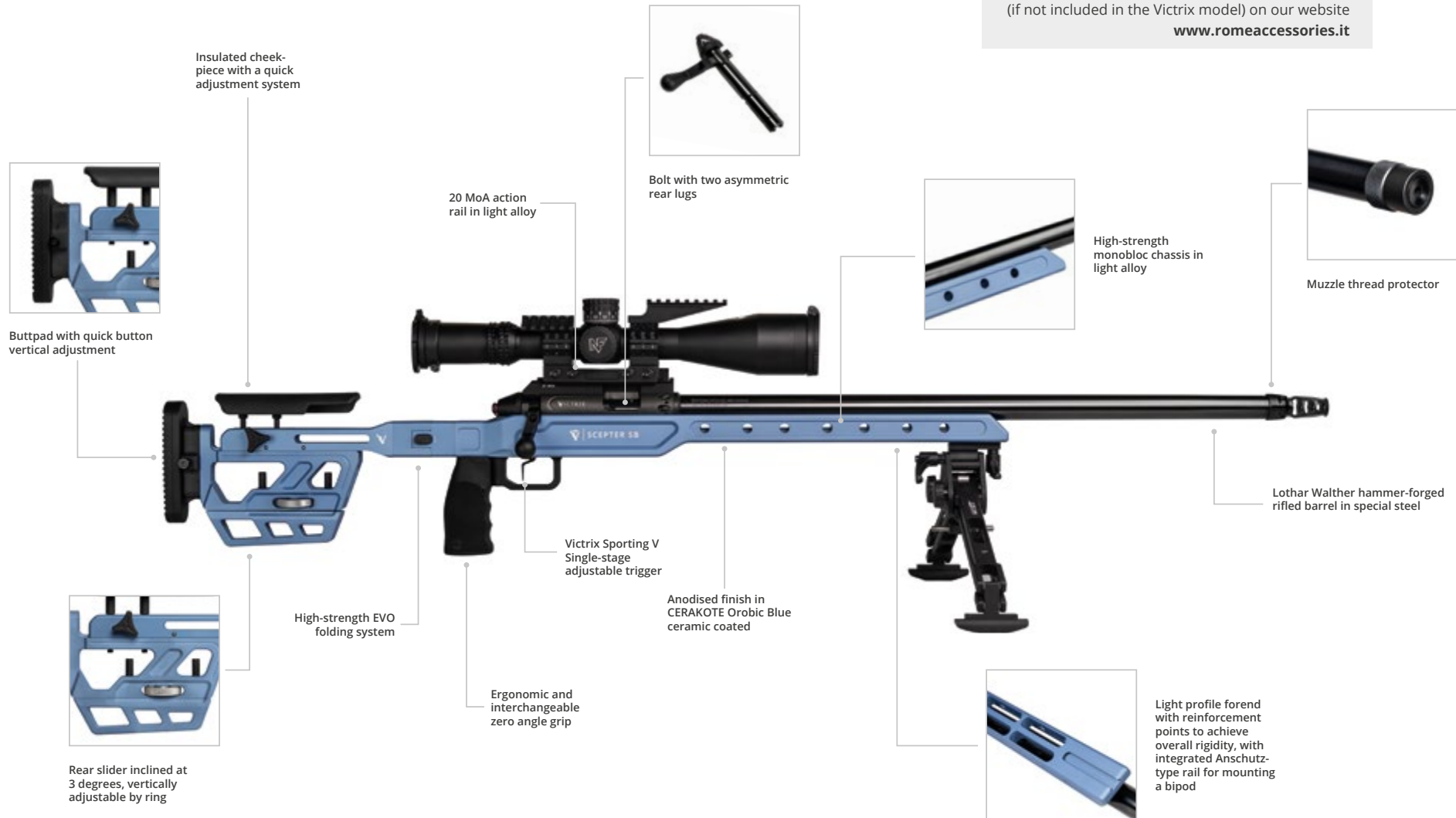
45 MoA action rail in light alloy

# ACCESSORIES AND DESIGN DETAILS

The accessories marked with the symbol



are part of the brand **ROME** that complement the Victrix system. You can buy these separately (if not included in the Victrix model) on our website [www.romeaccessories.it](http://www.romeaccessories.it)



R  M E

A C C E S S O R I E S





## AN EMPIRE WITHOUT LIMITS.

ROME is specialized in high precision engineering,  
a design firm, a firearm accessories Research & development lab,  
tied to Victrix Armaments since day one.

We are here to give you the best user experience ever, on the field.  
There is an important project in our present, our firearm accessories  
are in your future.

Choose your one to [www.romeaccessories.it](http://www.romeaccessories.it),  
change together with us the rules of the game.









Via Giuseppe Mazzini 38/A  
24026 Cazzano Sant'Andrea (BG) - Italy

Phone +39 035 71 70 111  
[info@victrixarmaments.com](mailto:info@victrixarmaments.com)  
[www.victrixarmaments.com](http://www.victrixarmaments.com)